

Suitable for building entryways, walking paths and pedestrian plazas, as well as any other location requiring a low-mounting-height light source.

Features

- Efficacy higher than 115 lm/W with zero uplight while consumes 26W.
- Round appearance for good decorative effect, sized in 3.5ft height.
- Dark bronze polyester powder-coat finish.
- 360 degrees surround illumination with 80 CRI.
- 1-10V dimming and projected over 50,000 hrs life span.
- Operating temperature is -40°C to 40°C (-40°F to 113°F).
- Optional emergency function for emergency needs.
- Robust ground cage pre-buried installation.
- UL/cUL wet location listed and DLC qualified.



PERFORMANCE DATA

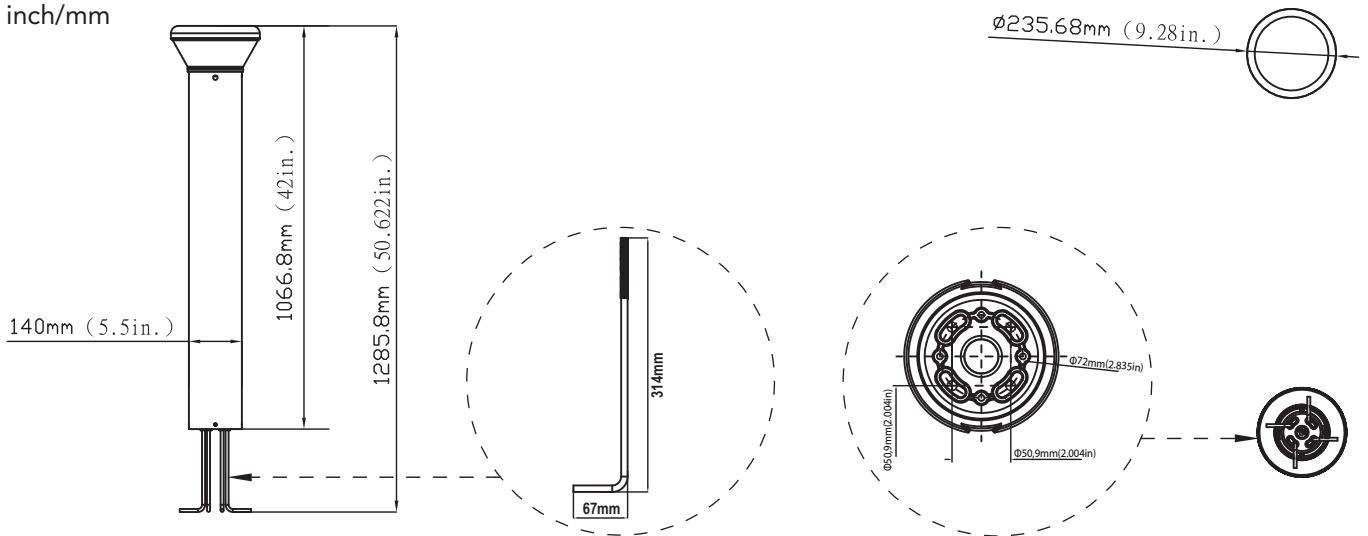
		4000K(80CRI)		5000K(80CRI)	
SYSTEM WATTS	VOLTAGE	LUMENS	LPW	LUMENS	LPW
26W	120-277V	3000lm	115 lm/W	3100lm	119 lm/W

ELECTRICAL DATA

Number Of Drivers	Driver Current (mA)	Nominal Power (W)	INPUT VOLTAGE (V)	CURRENT (Amps)
1	670	26	120	0.22
		26	208	0.13
		26	240	0.11
		26	277	0.09

DIMENSION

unit: inch/mm



ORDERING GUIDE

Example: BFCM012627V40KD

Fixture Type	Wattage	Voltage	CCT	Finish	Backup Battery (Option)	Internal Code
<input type="text"/>	<input type="text"/>	<input type="text"/>	<input type="text"/>	<input type="text"/>	<input type="text"/>	<input type="text"/>
BFCM01 Bollard Light	26 26W	27V 120-277V	40K 4000K 30K 3000K	D Dark Bronze B Black W White	B With Emergency Battery Blank Without Emergency Battery	Blank Alphanumeric

DLC Model NO

SYSTEM WATTS	VOLTAGE	CCT	DLC NO.	DLC Classification
26W	120-277V	4000K	MBL0126W27V40K[D,B,W][Blank,B][Blank,A-Z,a-z,0-9]	Premium
	120-277V	3000K	MBL0126W27V30K[D,B,W][Blank,B][Blank,A-Z,a-z,0-9]	Premium