



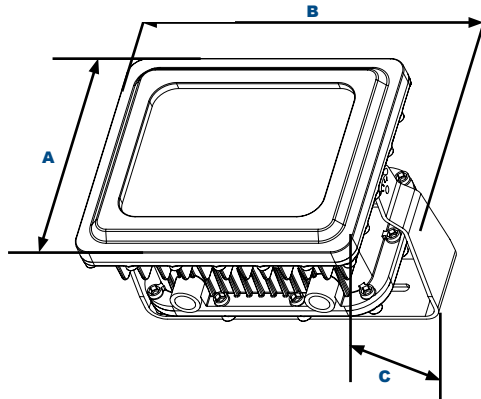
EasyLED Technology

EPF25

L70
25°C

329,000 Hours

Hazardous Location EasyLED Explosion Proof Flood



Dimensions

| | |
|------------|-----------------|
| Height (A) | 10 3/4" (273mm) |
| Width (B) | 13 3/4" (348mm) |
| Length (C) | 9 3/4" (248mm) |

The Jemm EPF25 Class 1, Division 2 Explosion Proof Hazardous Location Flood luminaire is available with a clear tempered glass lens. Typical lighting applications include industrial facilities, oil, gas, painting facilities, manufacturing, and auto service facilities.

Specifications and Features:

Housing:

Heavy-Duty Die Cast Aluminum Housing with 3/4" Stainless Steel Close-Up Plugs for Wiring Entrance Conduits and Fittings.

Listing & Ratings:

ETL Listed for Hazardous Locations Per UL844 as Follows: Class 1, Division 2 Groups A, B, C, D; T4 Temperature Rating, -25°C to +50°C Ambient. Suitable for Wet Locations, Sealed LED Compartment

Finish:

Powdercoat Finish Over a Chromate Conversion Coating.

Lens:

Clear Tempered Glass Lens

Mounting Options:

Mount with Stamped Steel Adjustable Yoke. Includes 3' 16/3 SJOOW Cord and Rated Connector. Rated for 6 #12 AWG 90°C for Through Wiring.

EasyLED LED:

Aluminum Boards

Wattage:

Array: 132.2w, System: 140.2w

Driver:

Electronic Driver, 120-277V, 50/60Hz; Less Than 20% THD and PF>0.90. Standard Internal Surge Protection 6kV. 0-10V Dimming Standard for a Dimming Range of 100% to 10%; Dimming Source Current is 150 Microamps.

Warranty:

5-Year Warranty

See Page 2 for Projected Lumen Maintenance Table.

Order Information Example:

EPF25F132U5KCGYSP

| EPF25 | F | 132 | U | | C | G | Y | |
|-------------------------------------|-------------------------------|----------|------------|----------------------|-----------------------------|--------|-------------------|---------------------|
| Model | Optics | Wattage | Driver | CCT | Lens | Color | Mount | Options |
| EPF25=EasyLED Explosion Proof Flood | F=110°H x 110°V, NEMA 7H x 7V | 132=132w | U=120-277V | 4K=4000K 5K=5000K | C=Clear Tempered Glass Lens | G=Gray | Y=Adjustable Yoke | SP=Surge Protection |

Project Information:

Project Name: _____ Fixture Type: _____

Complete Catalog #: _____ Date: _____

Comments: _____

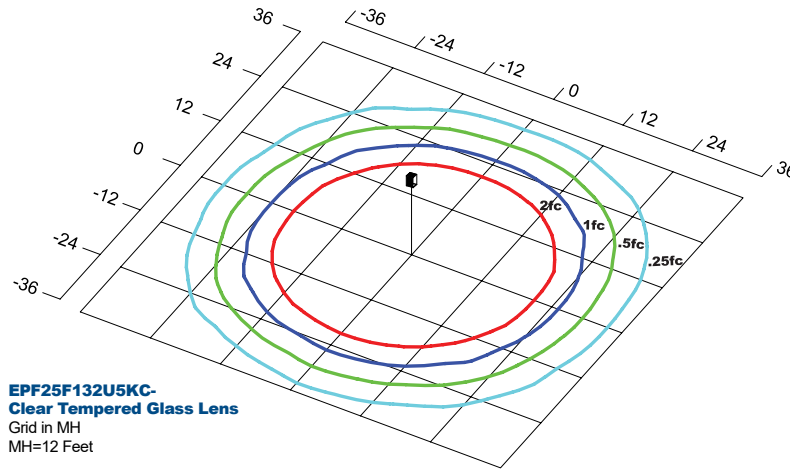
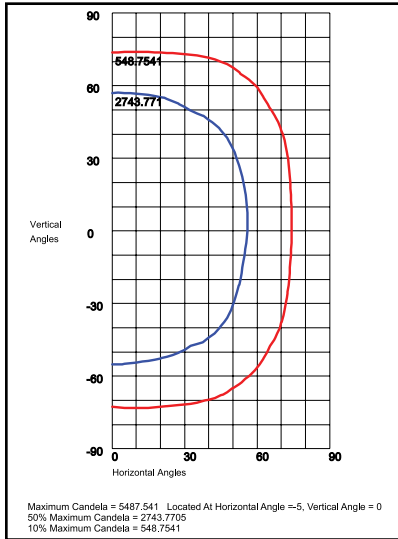
Certification & Listings:



**Class 1, Division 2
Groups A, B, C, D
T4 Temperature Rating**

Specifications subject to change without notice. Rev. 070620

Photometric Data



EPF25F132U5KC-
Clear Tempered Glass Lens

Photometric Performance

| LED Board Watts | Drive Current (mA) | Input Watts | Optics | 5000 CCT 80 CRI | | 4000 CCT 80 CRI | |
|-----------------|--------------------|-------------|-------------------------------|-----------------|-----|-----------------|-----|
| | | | | Lumens | LPW | Lumens | LPW |
| EasyLED 132w | 465 | 140 | F 110°H x 110°V, NEMA 7H x 7V | 15,046 | 108 | 14,482 | 104 |

Projected Lumen Maintenance

| Data shown for 5000 CCT | Input Watts | Compare to MH | | | | |
|--|-------------|---------------|------------|------------|-------------|----------------------|
| | | Initial | 25,000 Hrs | 50,000 Hrs | 100,000 Hrs | Calculated L70@ 25°C |
| TM-21-11 | 140 | 1.00 | 0.98 | 0.95 | 0.91 | 329,000 |
| L70 Lumen Maintenance @ 25°C / 77°F | 140 | 1.00 | 0.98 | 0.95 | 0.91 | 329,000 |
| TM-21-11 | Input Watts | Initial | 25,000 Hrs | 50,000 Hrs | 100,000 Hrs | Calculated L80@ 40°C |
| L80 Lumen Maintenance @ 50°C / 104°F | 140 | 1.00 | 0.95 | 0.90 | 0.80 | 149,000 |
| L80 Lumen Maintenance @ 40°C / 104°F | 140 | 1.00 | 0.96 | 0.93 | 0.86 | 142,000 |

NOTES:

1. Projected per IESNA TM-21-11. Data references the extrapolated performance projections for the 465mA base model in a 25°C ambient, based on 10,000 hours of LED testing per IESNA LM-80-08.
2. Compare to MH box indicates suggested Light Loss Factor (LLF) to be used when comparing to Metal Halide (MH) systems.