

Applications:

Suitable for commercial, industrial facilities, oil, gas, painting facilities, manufacturing, and auto service facilities.

Ceiling Mount



Wall Mounts

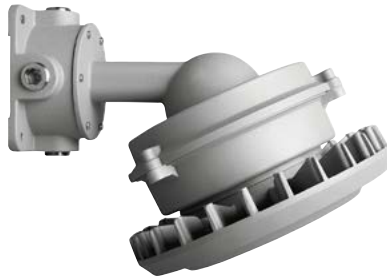


90° Wall Mount

Flood



Adjustable Yoke



25° Wall Mount

Stanchion Mounts



25° Stanchion Mount



90° Stanchion Mount

The Jemm EPLP Class 1, Division 2 Explosion Proof Hazardous Location Luminaire is available with a clear tempered glass lens. Typical lighting applications include industrial facilities, oil, gas, painting facilities, manufacturing, and auto service facilities.

Specifications and Features:

- Heavy-Duty Die Cast Aluminum Housing
- ETL Listed for Hazardous Locations Per UL844 as Follows: Class 1, Division 2 Groups A, B, C, D; T4 Temperature Rating, -25°C to +50°C Ambient. Suitable for Wet Locations, Sealed LED Compartment
- Powdercoat Finish Over a Chromate Conversion Coating.
- Clear Tempered Glass Lens
- Mountings Include Pendant (Conduit by Others), Ceiling Mount Box, 25° and 90° Wall Mount with Box, 25° and 90° Stanchions, and Adjustable Yoke. Yoke Mount Includes 3' 16/3 SJOOW Cord and Rated Connector. Rated for 6 #12 AWG 90°C for Through Wiring. Mounts Shipped Separately, Field Installed.
- Aluminum Boards
- Array: 56.7w, System: 64w
- Electronic Driver, 120-277V, 50/60Hz; Less Than 20% THD and PF>0.90. Standard Internal Surge Protection 6kV. 0-10V Dimming Standard for a Dimming Range of 100% to 10%; Dimming Source Current is 150 Microamps.
- 5-Year Warranty

Pendant Mount



**Class 1, Division 2
Groups A, B, C, D
T4 Temperature
Rating**



1/2" Pendant Hub

ORDERING GUIDE

Example: HB6140U5KB

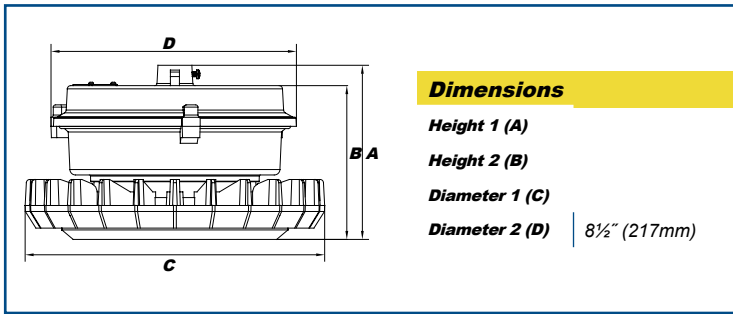
| EPLP15 | F | 57 | U | | C | G | Y | |
|--|--------|---------|------------|----------------------|-----------------------------|--------|--|---------------------|
| Model | Optics | Wattage | Driver | CCT | Lens | Color | Mount | Options |
| EPLP15= Hazardous Location Explosion Proof Luminaire | F=Wide | 57=57w | U=120-277V | 4K=4000K 5K=5000K | C=Clear Tempered Glass Lens | G=Gray | Y=Adjustable Yoke W90=90° Wall Mount W25=25° Wall Mount S25=25° Stanchion S90=90° Stanchion P=Pendant Mount (Conduit by Others) | SP=Surge Protection |

Specifications subject to change without notice.



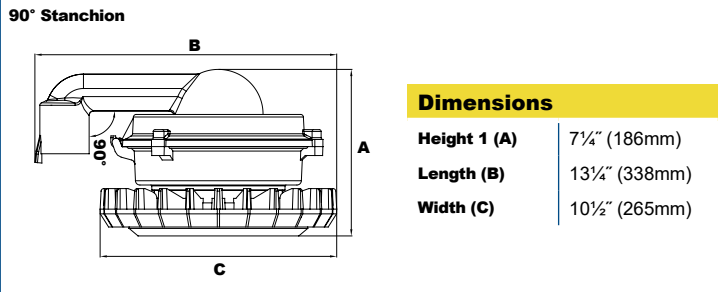
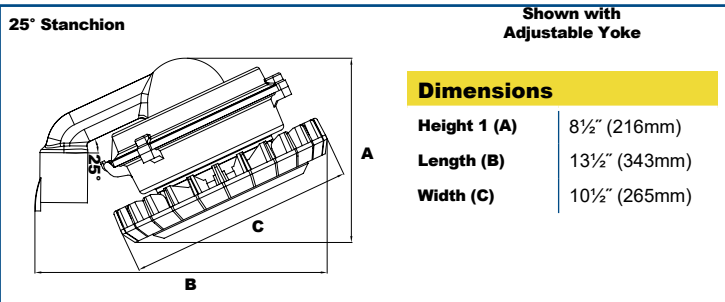
Hazardous Location Explosion Proof Luminaire Series EPLP

Pendant Mount

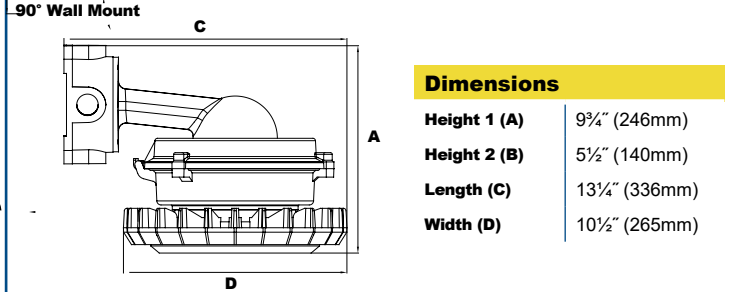
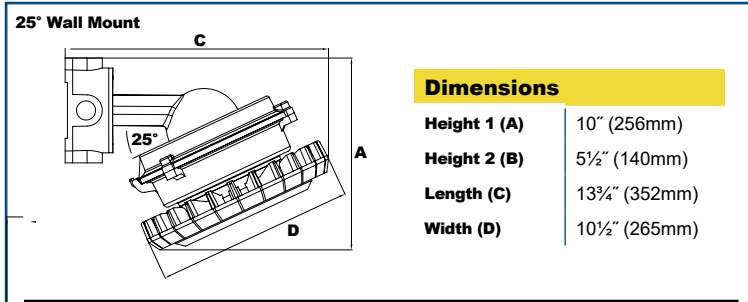


½" Pendant Hub

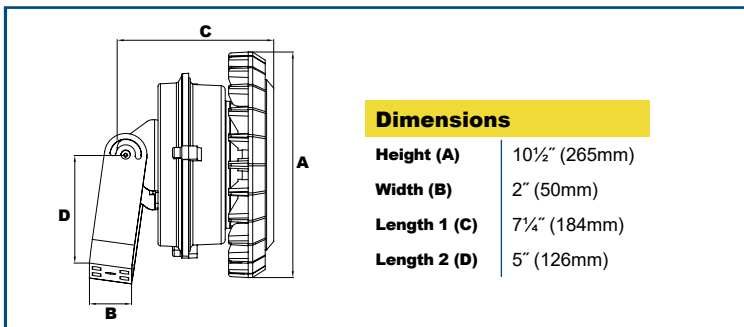
Stanchion Mounts



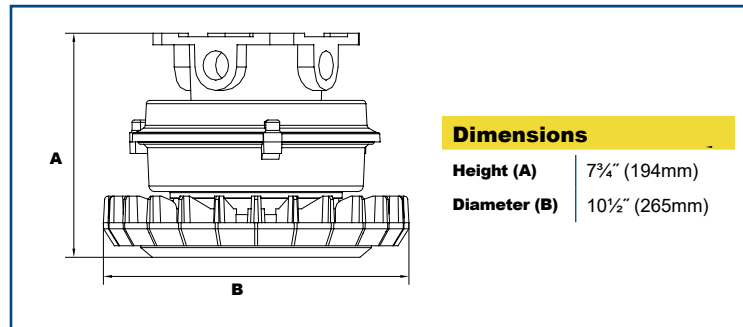
Wall Mounts



Flood



Ceiling Mount



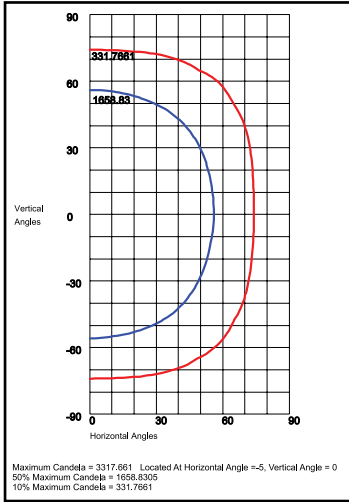
¾" Entrance Plugs

Specifications subject to change without notice.

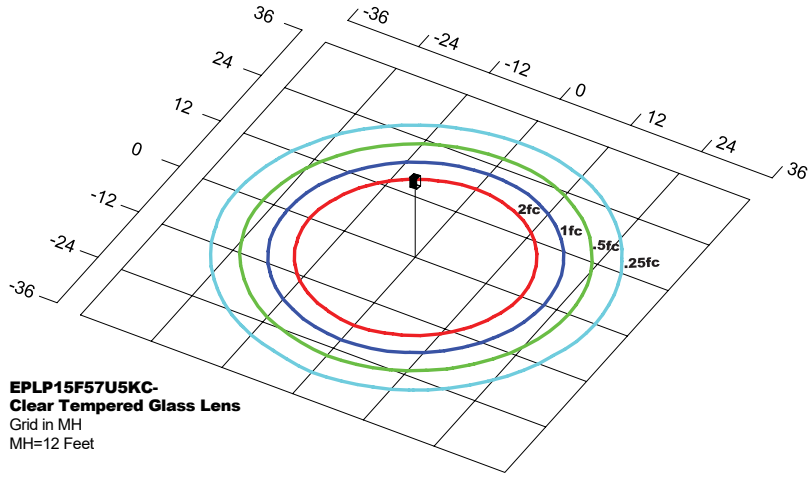


Hazardous Location Explosion Proof Luminaire Series EPLP

Photometric Data



**EPLP15F57U5KC-
Clear Tempered Glass Lens**



Photometric Performance

| LED Board Watts | Drive Current (mA) | Input Watts | Optics | 5000 CCT 80 CRI | | 4000 CCT 80 CRI | |
|--------------------------|--------------------|-------------|-------------------------------|-----------------|-----|-----------------|-----|
| | | | | Lumens | LPW | Lumens | LPW |
| EasyLED 57w (Clear Lens) | 175 | 64 | F 110°H x 110°V, NEMA 7H x 7V | 8,957 | 140 | 8,599 | 135 |

Projected Lumen Maintenance

| Data shown for 5000 CCT | | Compare to MH | | | | | |
|--------------------------------------|-------------|---------------|------------|------------|-------------|----------------------|--|
| TM-21-11 | Input Watts | Initial | 25,000 Hrs | 50,000 Hrs | 100,000 Hrs | Calculated L70@ 25°C | |
| L70 Lumen Maintenance @ 25°C / 77°F | 64 | 1.00 | 0.96 | 0.92 | 0.84 | 183,000 | |
| TM-21-11 | Input Watts | Initial | 25,000 Hrs | 50,000 Hrs | 100,000 Hrs | Calculated L80@ 40°C | |
| L80 Lumen Maintenance @ 50°C / 104°F | 64 | 1.00 | 0.93 | 0.86 | 0.71 | 105,000 | |
| TM-21-11 | Input Watts | Initial | 25,000 Hrs | 50,000 Hrs | 100,000 Hrs | Calculated L80@ 40°C | |
| L80 Lumen Maintenance @ 40°C / 104°F | 64 | 1.00 | 0.94 | 0.88 | 0.75 | 81,000 | |

NOTES:

- Projected per IESNA TM-21-11. Data references the extrapolated performance projections for the 175mA base model in a 25°C ambient, based on 10,000 hours of LED testing per IESNA LM-80-08.
- Compare to MH box indicates suggested Light Loss Factor (LLF) to be used when comparing to Metal Halide (MH) systems.

Specifications subject to change without notice.

Specifications subject to change without notice.