

V Series

Explosion Proof Edge Lit LED Exit Sign



Features:

- Light weight and compact structure.
- Integrated junction box for driver with emergency backup.
- Ingress protection rating IP66.
- Low energy consumption (1W/2W/3W/4W/5W).
- 3-hour emergency operation.
- Stainless-steel exposed fasteners with high corrosion resistance.
- Alternate exit legend and languages available.

Two Options of Function:

- Model 1: EXIT sign remains on with or without mains electricity.
- Model 2: EXIT sign does not light up when there is mains electricity, but only lights up when there is a power outage.



Specifications:

Universal Input Voltage

100-277VAC or 12-48VDC, 50/60Hz

Rated Wattage

1W, 2W, 3W, 4W, 5W

Emergency Time

3H

Lifespan

50,000H

Warranty

5-year limited warranty

Temperature Rating (Ambient)

-4°F to +140°F (-20°C to +60°C)

Certifications:

- Marking ATEX



II2 G Ex ib IIC T4 Gb
II2 D Ex tb IIIC T80°C Db IP66

- Marking IECEx

Ex ib mb IIC T4 Gb
Ex tb IIIC T130°C Db IP66

- Marking Marine

UL 924

- Marking UL844 (North American)

Class I, Division 2, Groups A, B, C, D
Class II, Division 1, Groups E, F, G
Class II, Division 2, Groups F, G
Class III

Standard Materials:

- Housing: Aluminum
- EXIT sign plate: Tempered glass
- Hardware: Stainless steel
- Mounting Sling: Stainless steel

Explanation of Indicator Light:

- If three or two indicator lights remain on during initial power on, it is necessary to reset them by detecting the switch: press the switch "ON" for 5 to 6 seconds ->OFF ->ON.
- **RED:**
 1. Fast charging for 2 hours.
 2. Charging indicator, displaying 20% -80% battery capacity.
- **GREEN:**
 1. Trickle charging.
 2. Charging indicator, displaying 80% -100% battery capacity.
 3. Green light on when disconnecting the battery.
- **RED and GREEN:**
Red and Green flashes alternately for 5 minutes, indicating that it is at 80% battery capacity.
- **YELLOW:**
 1. Discharge below 20%.
 2. If the yellow light is on in any state, the product is out of order.

Description of Switch:

- 1. Press the switch "ON" once, the EXIT sign and indicator light will flash once, with an ON/OFF interval of 10 seconds.
- 2. With mains electricity disconnected, long press and hold the switch for 3 to 5 seconds to turn off the product. If the EXIT sign needs to be turned on again, it will be activated through mains electricity.
- 3. The product will automatically have monthly inspection. EXIT sign and indicator light will flash once every 30 or 31 days.
- 4. The product will automatically have an annual inspection. EXIT sign and indicator light will flash twice every year.

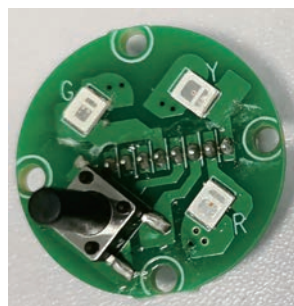
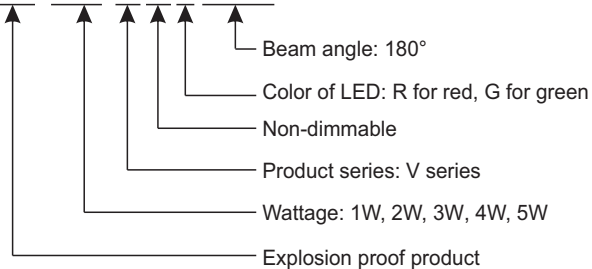


Image: Indicator light LED and Tact Switch

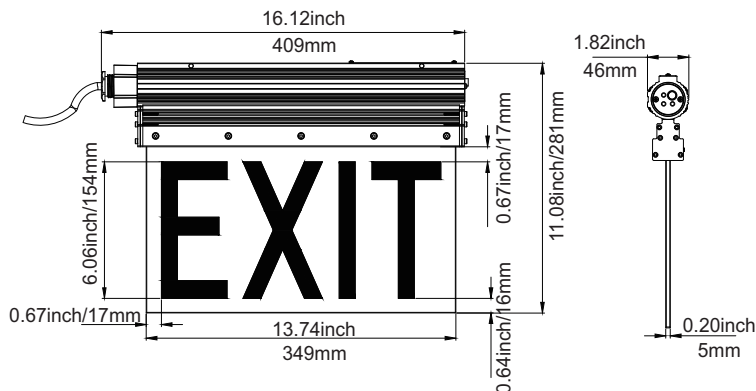
V Series Explosion Proof Edge Lit LED Exit Sign

Model Encoding:

EX- * W V N * D180



Dimension:

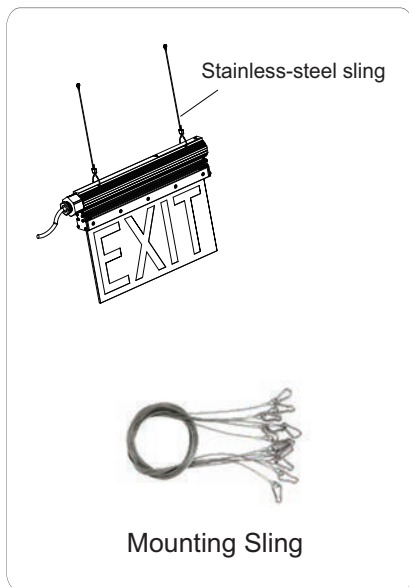


Model number list:

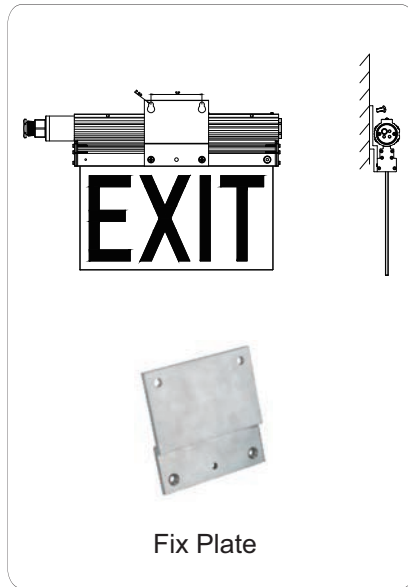
- EX-1W VNRD180; EX-1W VNGD180
- EX-2W VNRD180; EX-2W VNGD180
- EX-3W VNRD180; EX-3W VNGD180
- EX-4W VNRD180; EX-4W VNGD180
- EX-5W VNRD180; EX-5W VNGD180

Mounting:

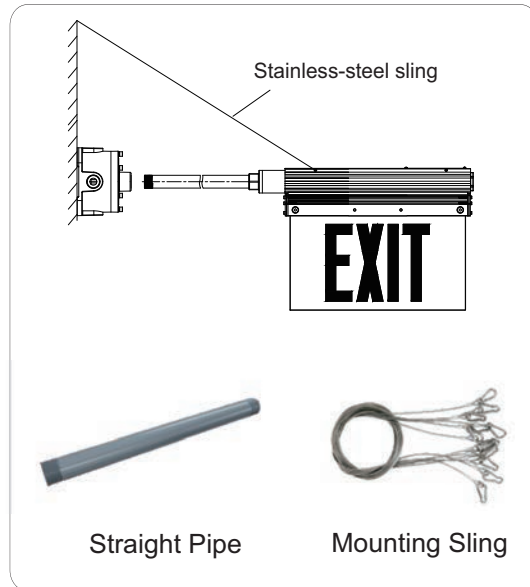
◆ Pendant Mounting:



◆ Wall Mounting:



◆ Pipe Mounting:



Packing Information:

Model	Quantity/Carton	Packing Size	Net Weight	Gross Weight
V Series	2 Pcs	18.50x18.50x10.24inch/470x470x260mm	3.3 kg/ 7.28 lbs	7 kg/ 15.43 lbs