

### FB1

**L70**  
25°C **89,000 Hours**

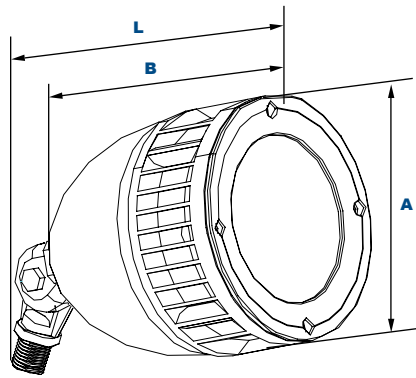
### Turbine C<sup>3</sup> LED Bullet Flood Light



Shown with "B"  
100° Wide Optic  
Installed.



Shown with "D"  
30° Narrow Optic  
Installed.



#### Dimensions

<b>Length (B)</b>	6¼" (160mm)
<b>Length with Mount (L)</b>	9¼" (235mm)
<b>Diameter (A)</b>	5¼" (146mm)

The Jemm Lighting FB1 ColorLED static color flood light luminaire is available with a knuckle mounting feature with narrow, medium and wide distributions designed to provide accent colored light using Blue, Green, Red or Amber COB LEDs. Typical lighting applications include retail centers, industrial parks, schools and universities, public transit and airports, office buildings and medical facilities. Mounting can be accomplished using ground attachment accessories and up to heights of 12 feet based on light level and uniformity requirements.

#### Specifications and Features:

##### Housing:

Die-Cast Gasketed Aluminum Housing and Front Frame with Integral Heat-Dissipating Fins for Thermal Management. Nickel-Plated Stainless Steel Hardware.

##### Listing & Ratings:

CSA: Listed for Wet Locations, ANSI/UL 1598, 8750  
IP65 Sealed LED Compartment.

##### Finish:

Textured Architectural Bronze Powdercoat Finish Over a Chromate Conversion Coating. Custom Colors Available Upon Request.

##### Lens:

Tempered Clear Flat Glass Lens.

##### Mounting Options:

Adjustable Knuckle with ½" NPS Threads.

##### COB LED:

ColorLED COB

##### Wattage:

20w: COB 20w, System Input 21w  
(100w HID Equivalent)

##### Driver:

Electronic Driver, 120-277V, 50/60Hz; Dimmable Driver

##### Warranty:

5-Year Warranty for -40°C to +50°C Environment.

#### Order Information Example:

**FB1BC320UBLKZKNP**

FB1			U			KN	
Model	Optics	Wattage	Driver	CCT	Color	Mounting	Options
<b>FB1</b> =Turbine C <sup>3</sup> LED Bullet	<b>AC3</b> = Medium, NEMA 6H x 6V <b>BC3</b> =Wide, NEMA 6H x 6V <b>DC3</b> =Narrow, NEMA 4H x 4V  *See Page 2 for Distribution Information.	<b>20</b> =20w	<b>U</b> =120-277V	<b>BL</b> =Blue <b>GR</b> =Green <b>RD</b> =Red <b>AM</b> =Amber	<b>Z</b> =Bronze <b>C</b> =Custom (Consult Factory)	<b>KN</b> =½" NPS Knuckle	<b>SF</b> =Single Fuse <b>DF</b> =Double Fuse <b>SP</b> =Surge Protection

#### Project Information:

Project Name: \_\_\_\_\_ Fixture Type: \_\_\_\_\_

Complete Catalog #: \_\_\_\_\_ Date: \_\_\_\_\_

Comments: \_\_\_\_\_

#### Certification & Listings:



### Accessories & Replacement Parts:



FLPTFZ



FLSTK



FB1VZ\*

#### Mounting Accessories (Order separately, Field installed)

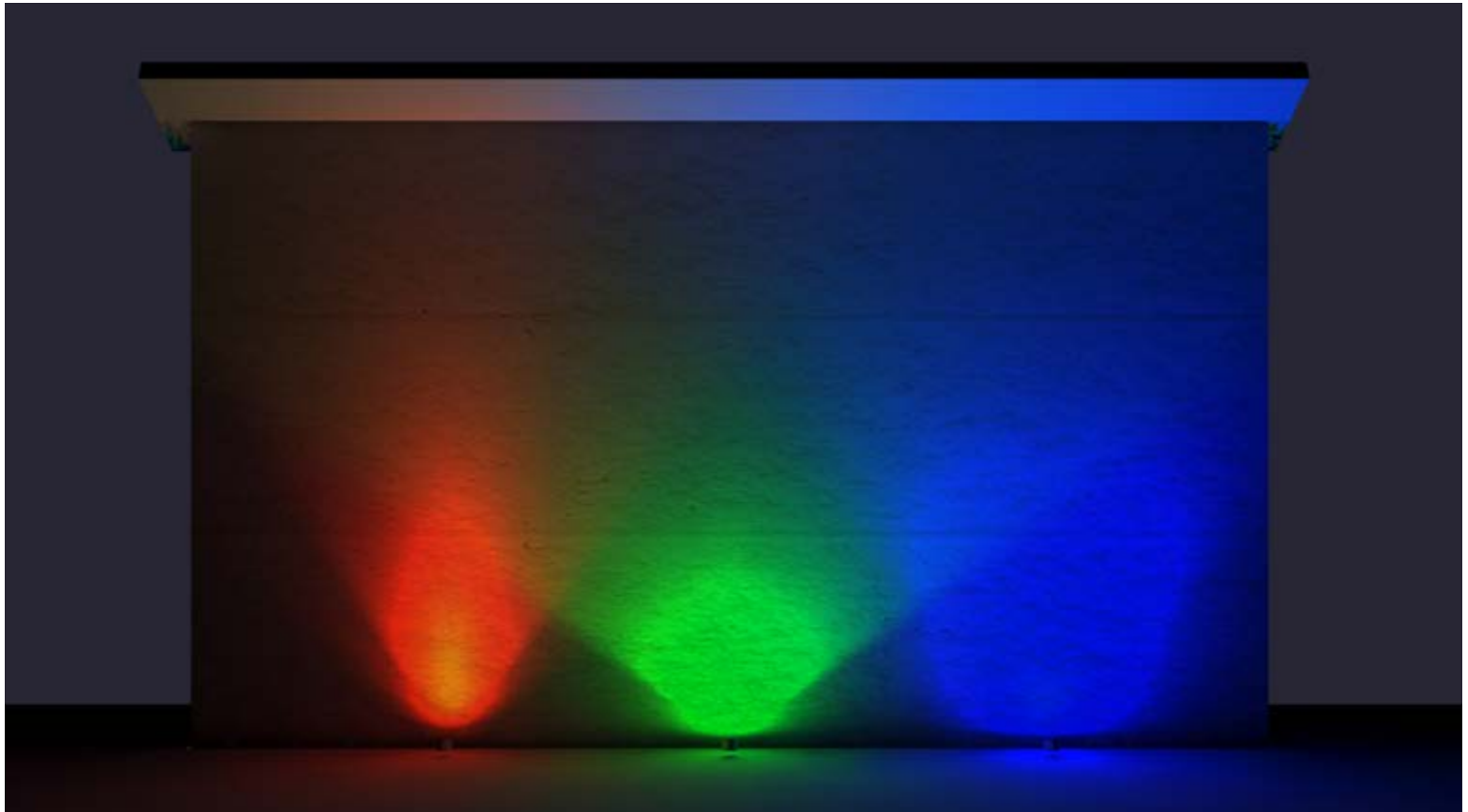
FLPTFZ Die-cast Post Top Fitter for 2 3/8" to 3 1/2" Poles, Bronze Powdercoat Finish, Three (3) 1/2" Coin Plugs.

FLSTK Heavy Duty Ground Stake, Built-in Wiring Compartment with 1/2" NPS Threaded Fitting, Black Plastic.

#### Accessories (Order separately, Field installed)

FB1VZ Die-Cast Rotatable Visor, Bronze Powdercoat Finish.

\*Shown Mounted



Narrow "D" Optic

Medium "A" Optic

Wide "B" Optic

### Distributions

LED COB Watts	Input Watts	Optic	Beam
COB LED 21w	21	A	70°, Medium Optic 70°H x 70°V, NEMA 6H x 6V
		B	100°, Wide Optic 100°H x 100°V, NEMA 6H x 6V
		D	30°, Narrow Optic 25°H x 25°V, NEMA 4H x 4V