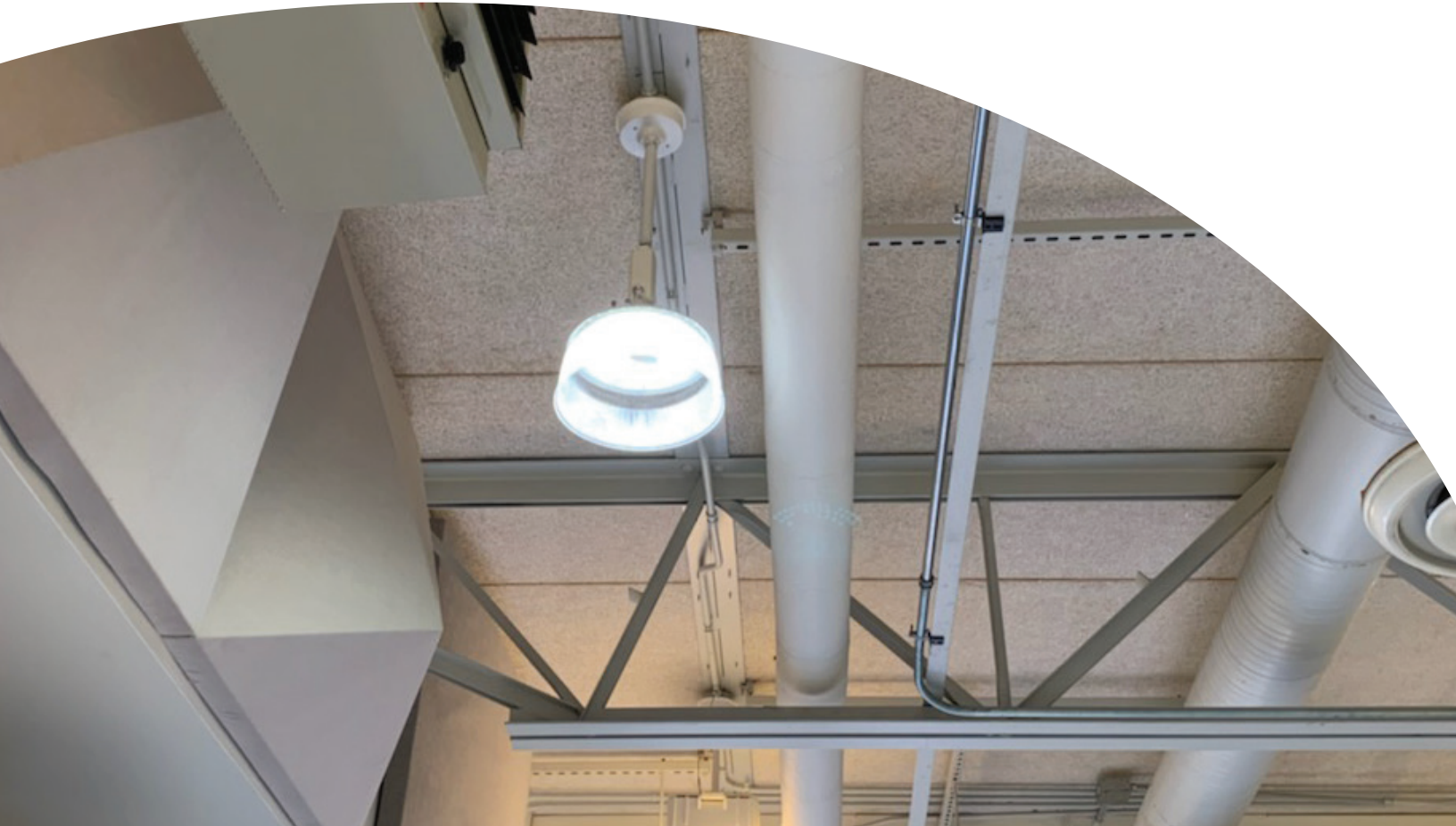




The
FHUSTM
Series

Field-adjustable lumen output
LED High Bay Light





field-adjustable lumen output
LED High Bay Light



PROJECT: _____

DATE: _____

TYPE: _____

PREPARED BY: _____



KEY FEATURES
Field-adjustable lumen/wattage standard on all models
Optional twist-on Bi-level motion control
Emergency battery backup available
Multiple Mounting options
Daylight harvesting control option

TECHNICAL SPECIFICATIONS

COMPLIANCE

UL Listed

UL 1598 Suitable for wet locations

IESNA LM79 & LM-80 Testing

PacLights LED luminaires have been tested by an independent laboratory in accordance with IESNA LM-79 and LM-80.

DLC Qualification

Selected models of this product are on the Design Lights Consortium (DLC) Qualified Products List and are eligible for rebates from DLC Member Utilities. To view our DLC qualified products, please consult the DLC Qualified Products List at www.design-lights.org/qpl

LED CHARACTERISTICS

LEDS

Long-life, high-efficacy, surface-mount LEDs

Lifespan

100,000-hour LED lifespan based on IES LM-80 results and TM-21 calculations

Color Rendering Index

>70

Color Uniformity

PacLights' range of Correlated Color Temperature follows the guidelines of the American National Standard for Specifications for the Chromaticity of Solid State Lighting (SSL) Products, ANSI C78.377-2017

OTHER

5-Year Limited Warranty**

The PacLights 5-year, limited warranty covers light output, driver performance and paint finish.

**PacLights's warranty is subject to all terms and conditions found at paclights.com/warranty

CONSTRUCTION

IP Rating

Ingress Protection rating of IP66 for dust and water

Ambient Temperature

Suitable for 50° C (122° F) ambient temperature

Cold Weather Starting

The minimum starting temperature is -4 F°/-20° C

Housing

Die-cast aluminum housing; stainless steel external hardware; silicone gasket.

Mounting Methods

- Hook mount (standard)
- 3/4" NPT threaded pendant (optional)
- Ceiling/wall mounting with trunnion arm (optional)

Green Technology

Mercury and UV free, and RoHS compliant.

Lens

Polycarbonate.
Optional Prismatic Acrylic Reflector

ELECTRICAL

Drivers

0-10V continuous dimming, can be dim to 10%
Input Voltage: 120-277V, 50-60 Hz
Power Factor : > 0.9

Wattage can be adjusted to:

- 80w / 100w / 120w / 150w on FHUS/2-150 models
- 180w / 200w / 220w / 240w on FHUS/2-240 models

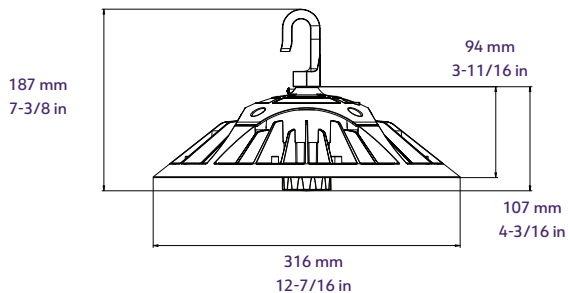
Input Current: FHUS/2-150: 1.4A (120v); 0.7A (240v); 0.65A (277v).
FHUS/2-240: 2.3A (120v); 1.2A (240v); 1A (277v).

TECHNICAL SPECIFICATIONS Continued

FHUS/2 - 150

Weight 6.5 lbs

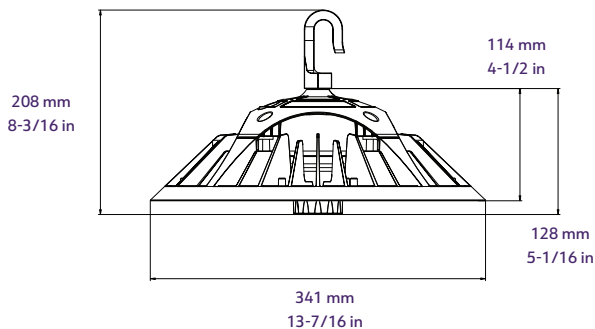
standard hook



FHUS/2 - 240

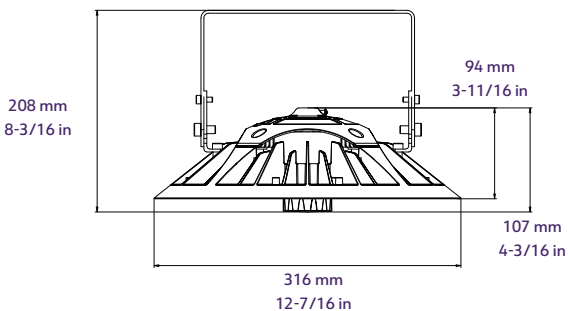
Weight 8.9 lbs

standard hook



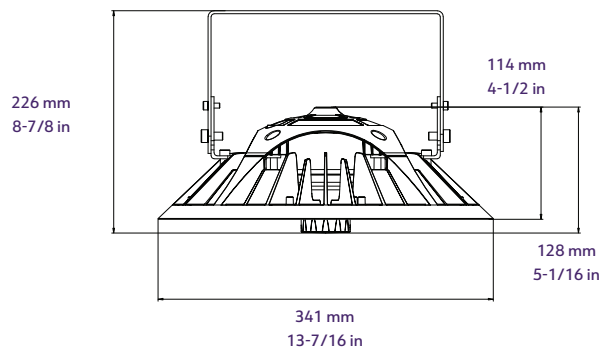
Weight 7.8 lbs

optional trunnion



Weight 12.3 lbs

optional trunnion



FINISHES	
all models	White



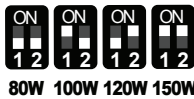
FIELD ADJUSTABLE Standard

TOOL-LESS FIELD ADJUSTABLE LUMEN OUTPUT/WATTAGE



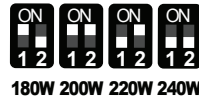
Select the desired output power by sliding the respective Wattage Selection Dip Switches up or down to the desired value, for different lumen outputs. Lumen Output can be changed before, during and after installation.

wattage selection dip switches
(switch position shown in white)



80W 100W 120W 150W

FHUS/2-150



180W 200W 220W 240W

FHUS/2-240

EMERGENCY BACKUP Optional

EMERGENCY BACKUP (-EM)



FHUS series emergency backup models save time and cost in the installation. When there is a power outage, the emergency backup driver and battery will power the FHUS to a brightness of 6,000 (sku: EMU-40) or 9,000 (sku: EMU-60) lumen for at least 90 mins.

PERFORMANCE

FHUS/2 - 150

Output wattage field-adjustable to 80w/100w/120w/150w

80W	4000K Neutral	5000K Daylight	100W	4000K Neutral	5000K Daylight	120W	4000K Neutral	5000K Daylight	150W	4000K Neutral	5000K Daylight
LUMENS	11,440	11,680	LUMENS	14,300	14,600	LUMENS	17,160	17,520	LUMENS	21,450	21,900
LM/W	143	146	LM/W	143	146	LM/W	143	146	LM/W	143	146

FHUS/2 - 240

Output wattage field-adjustable to 180w/200w/220w/240w

180W	4000K Neutral	5000K Daylight	200W	4000K Neutral	5000K Daylight	220W	4000K Neutral	5000K Daylight	240W	4000K Neutral	5000K Daylight
LUMENS	25,740	26,280	LUMENS	28,600	29,200	LUMENS	31,460	32,120	LUMENS	34,320	35,040
LM/W	143	146	LM/W	143	146	LM/W	143	146	LM/W	143	146

ORDERING INFORMATION

FHUS™ generation 2

Family	Model	CCT	Optics	Option
FHUS/2	[]	[]	[]	[]
	150 80w/100w/120w/150w adjustable wattage	30 3000K	[blank] 120° lens	EM ⁴ Emergency backup
	240 180w/200w/220w/240w adjustable wattage	40 4000K	60 60° lens	MC Twist-on Bi-Level motion control
		50 5000K	90 90° lens	DH ¹ Daylight harvesting control
			RF 90° prismatic reflector	CM Conduit (NPT 3/4) pendant mount
				TM Trunion mount
				HV ² 480v upgrade
				CV ³ prismatic drop lens w/ clamp band

¹ requires conduit pendant mount
² special order for single wattage only
³ requires prismatic reflector, can only affix one drop lens to a reflector
⁴ 6,000 (EM40) or 9,000 (EM60) lumen options available

CONTROL Optional

BI-LEVEL MOTION CONTROL (-MC)



Microwave motion control detect motions even through plastic, glass and thin non-metal materials. It contains a signature 3-step dimming function, which is perfect for areas that require a light change notice totally switching off the light. Control parameters are adjustable on the sensor, or by an optional wireless commissioning device.



Twist-on Bi-level Motion Control
SE-HS-HD06VCRH



Wireless deployment tool
SE-HS-HD05R

DAYLIGHT HARVESTING CONTROL (-DH)



Daylight Harvesting Sensor is a control device that reduces electric light in building interiors when daylight is available, in order to reduce energy consumption. Daylight harvesting takes advantage of naturally available light, is a key energy-saving strategy for commercial spaces.