



OVERVIEW

FJAR LED Vaporproof Jars are designed to replace 100-watt incandescent or 23-watt CFL fixtures with high-quality, long-lasting illumination, no maintenance required. The fixture is IP66 rated against ingress of dust and pressurized water in harsh environments, and suitable for inverted mounting.

APPLICATION

Doorways, scaffolding, construction sites, fire hydrants and emergency call stations.

FEATURES

- Superior Slim Design
- Ceiling or Wall mount
- Efficacy: up to 85 LPW
- Wattage: 14 W
- Lumen Output: up to 1,200 L

Project:	Type:
Prepared By:	Date:

Models

Model	CCT	Lumens (LM)	Efficacy(LPW)
FJAR14[C/W]5000	5000K	1,200	85
FJAR14[C/W]4000	4000K	1,150	83
FJAR14[C/W]3000	3000K	1,100	79
FJAR14[C/W]2700	2700K	1,080	77

Lumen Output based on 277v with included frosted glass jar.

Technical Specifications

Warranty

Paclights warrants these LED products will be free from defects in materials and workmanship for a period of five (5) years from the date of delivery to the end user, including coverage of light output, color stability, driver performance and fixture finish. Please refer to our full warranty.

Qualifications

ETL Listed

IESNA LM79 & LM-80 Testing:

Paclights LED luminaires have been tested by an independent laboratory in accordance with IESNA LM-79 and LM-80.

Construction

Green Technology:

Mercury and UV free, and RoHS compliant. Polyester powder coating are formulated for high-durability and long-lasting color, and contains no VOC or toxic heavy metals.

Construction (continue)

IP Rating:

Ingress Protection rating of IP66 for dust and water

Ambient Temperature:

Suitable for 50° C (122° F) ambient temperature

Cold Weather Starting:

The minimum starting temperature is -40 F°/-40° C

Thermal Management:

Superior thermal management with external Air-Flow fins.

Housing:

Aluminum housing with powder coating.

Mounting Methods:

Wall mount or Ceiling mount

Lens:

Frosted Glass Jar, optional flat polycarbonate lens

Gaskets:

Silicon Gaskets

Finish:

Our environmentally friendly polyester powder coating are formulated from high-durability and long-lasting color, and contains no VOC or toxic heavy metals.

Electrical

Driver:

14w, 110-277V, 50-60 Hz, Power Factor > 0.95

LED Characteristics

Lifespan:

100,000- hour LED lifespan based on IES LM-80 results and TM-21 calculations.

LEDs:

High-output, long-life LEDs

Color Temp:

2700K (yellow), 3000K(warm white), 4000K (neutral white), 5000K (daylight)

Color Stability:

LED color temperature is warranted to shift no more than 200K in CCT over a 5 year period

Color Uniformity:

PacLights range of CCT (Correlated Color Temperature) follows the guidelines of th American National Standard for Specifications for the Chromaticity of Solid State Lighting (SSL) Products, ANSI C78.377-2011

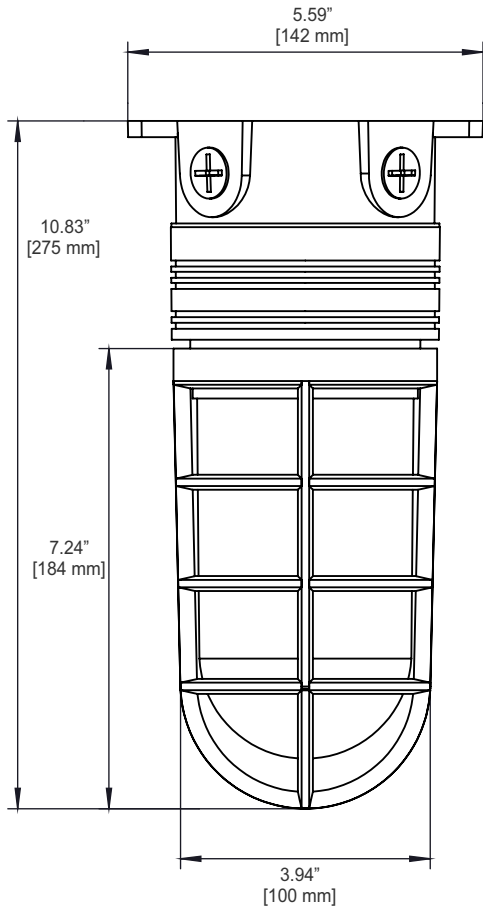
Color Rendering Index:

>70

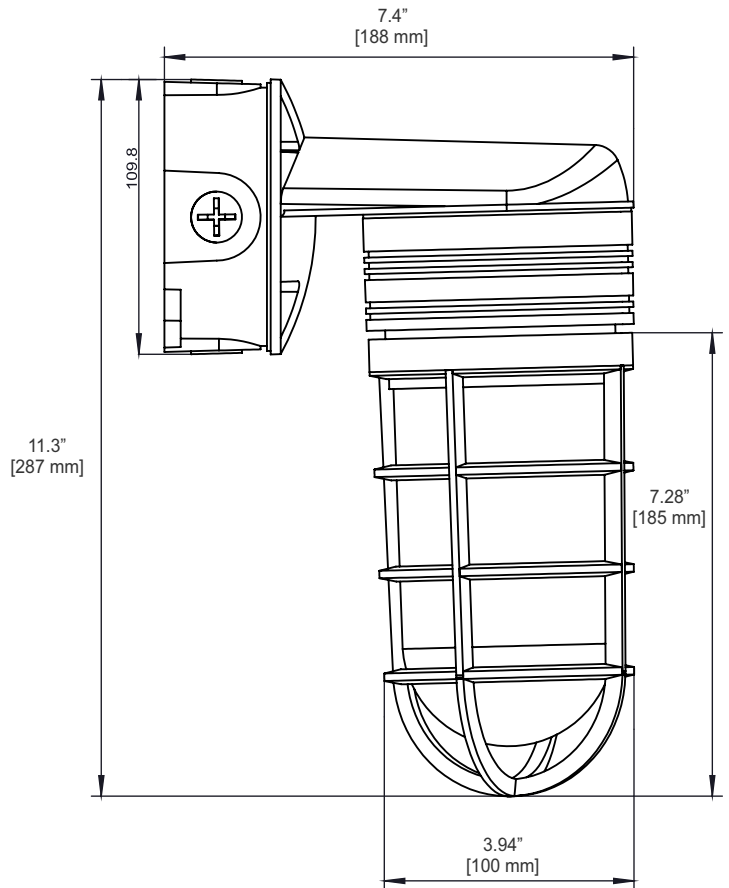
Ordering Matrix

Family	Mount	Color Temperature	Optional Lens
FJAR14	W	4000	FL
	W = Wall Mount C = Ceiling Mount	2700 = 2700 K 3000 = 3000 K 4000 = 4000 K 5000 = 5000 K	[blank] = Frosted glass (included) FL = Flat polycarbonate lens GL = Green frosted glass RL = Red frosted glass BL = Blue frosted glass YL = Yellow frosted glass

Dimensions



CEILING MOUNT



WALL MOUNT

Options



FROSTED GLASS JAR IN COLORS



INSTALLED WITH FLAT POLYCARBONATE LENS