



PT301 Astor Bell Pendant Decorative Pole Mounted Luminaire



Shown with PTMA12 Dual Pole Mount Arm

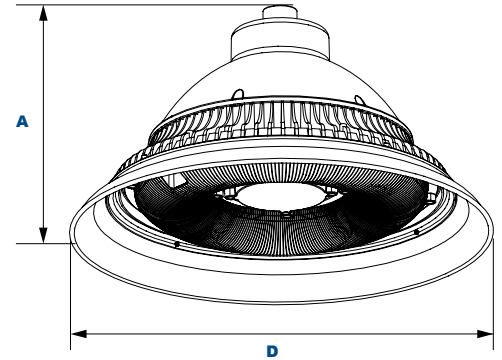


Shown with PTMA11 Single Pole Mount Arm



Shown with PTWM11 Wall Mount Arm

L70
25°C 473,000 Hours



Dimensions

| | |
|--------------|--------------|
| Diameter (D) | 19½" (495mm) |
| Height (A) | 11" (279mm) |

The Jemm Lighting PT301 Astor Bell Pendant is available in Type III or V distributions with two lens options designed to replace HID lighting systems up to 250w MH or HPS. The fixture mounts to a pole single arm, pole double arm, or wall mount single arm. Typical area lighting applications include parking areas, walkways, and pedestrian public spaces. Mounting heights of 12 to 30 feet can be used based on light level and uniformity requirements.

PT301 Specifications and Features:

Housing:

Die Cast Aluminum Housing, Integral Heat Sinking and Driver Compartment, Spun Aluminum Shade, Nickel-Plated Stainless Steel Hardware. Optional Twist-Lock Receptacle and Photocells are Installed on Arm Brackets (Factory Installed).

Listing & Ratings:

CSA: Listed for Wet Locations, ANSI/UL 1598, 8750 IP66 Sealed LED Compartment

Finish:

Textured Architectural Black Powdercoat Finish Over a Chromate Conversion Coating. Custom Colors Available Upon Request.

Lens:

Clear Prismatic or LumaLens Opal Prismatic Array Lens to Seal LED Array

Mounting Options:

Single Wall Mount Arm and Bracket, or Single or Dual Pole Mount Arms. Pole Mount Arms Accommodate 3" Tenons.

EasyLED LED:

Aluminum Boards

Wattage:

37w Array: 37w, System: 39w; (70-150w HID Equivalent)
65w Array: 65.1w, System: 68w; (150-250w HID Equivalent)
84w Array: 84w, System: 86w; (150-250w HID Equivalent.)

Driver:

Electronic Driver, 120-277V, 50/60Hz or 347-480V, 50/60Hz; Less Than 20% THD and PF>0.90. Standard Internal Surge Protection 6kV. 0-10V Dimming Standard for a Dimming Range of 100% to 10%; Dimming Source Current is 150 Microamps.

Controls:

Fixtures Ordered with Factory-Installed Photocell or Motion Sensor Controls are Internally Wired for Switching and/or 1-10V Dimming Within the Housing. Remote Direct Wired Interface of 1-10V Dimming is Not Implied and May Not Be Available, Please Consult Factory. Fixtures are Tested with Jemm Controls and May Not Function Properly With Controls Supplied By Others. Fixtures are NOT Designed for Use with Line Voltage Dimmers.

Warranty:

5-Year Warranty for -40°C to +50°C Environment.

See Page 3 for Projected Lumen Maintenance Table.

Specification Guide:

Step 1:



Select Fixture

Step 2:



Select Arm

Step 3:



Select Pole

Project Information:

| | |
|---------------------|---------------|
| Project Name: | Fixture Type: |
| Complete Catalog #: | Date: |
| Comments: | |

Certification & Listings:



Step 1: Select Fixture

Order Information Example: PT301F84U5KCBSF

| Model | Optics | Wattage | Driver | CCT | Lens | Color | Options | Model | Color | Options |
|---|--|--|--|---|---|--|---|---|--|---|
| PT301 = EasyLED Astor Bell Pendant | C =Type III F =Type V | 37 =37w 65 =65w 84 =84w | U =120-277V H =347-480V | 3K =3000K* 4K =4000K 5K =5000K *84w Type V & 65w Type III Only. | C =Clear P =Prismatic A =Array L =LumaLens L =Opal Array L =Lens | B =Black C =Custom (Consult Factory) | SF =Single Fuse (120-277V Only) DF =Double Fuse (120-277V Only) SP =Surge Protection S2 =Microwave Sensor with Dimming for Mounting Heights of 8 to 40'. (120-277V Only) S4 =Microwave On/Off Motion Sensor for Mounting Heights of 8' to 19'. (120-277V Only) | PT30WM11 = Single Wall Mount Arm PT30MA11 = Single Pole Mount Arm PT30MA12 = Dual Pole Mount Arm | B =Black C =Custom (Consult Factory) | R3 =3-Pin Twist Lock PhotoCell Receptacle R5 =5-Pin Twist Lock PhotoCell Receptacle R7 =7-Pin ANSI C136.41—2013 Twist Lock PhotoCell Receptacle PhotoCell Option not available with Wall Mount Arm. |

Step 2: Select Arm

Order Information Example: ASMA12BR7

Step 3: Select Pole

Order Information Example: PSRA2555BP3

| Model | Height/Shaft/Gauge (Pick One) | Color | Pole Top Mounting | Options |
|---|---|-----------------|-------------------------------|--|
| | 4" Round 5mm Wall 5" Round 5mm Wall | B | P3 | |
| PSRA =Straight Round Aluminum Pole | 2045 =20' 2555 =25' | B =Black | P3 =2 1/2" x 4"H Tenon | (Leave Blank) =No Options LAB =Less Anchor Bolts (2) LBC =Less Base Cover (3) |

Notes:

1. PSRA poles include anchor bolts standard, consult dimension table for size based on pole dimensions.
2. PSRA poles include square 2-piece black base cover.
3. PSRA poles available in standard lengths as shown. Poles can be cut to custom lengths. Consult Factory.

See PSRA Spec Sheet for Additional Specifications and EPAs

Order Information Example: PARF422DBBLAB

| Model | Shaft/Height/Style | Color | Options |
|---|--|-----------------|---|
| PDR | | B | |
| PDR =Fluted Aluminum Extruded Pole | 416AB =16" Anchor Base Pole 422DB =22" Direct Burial Pole | B =Black | (Leave Blank) = No Options LAB = Less Anchor Bolts (2) |

Notes:

1. PDR poles include anchor bolts standard.
2. PDR poles include removable 3" aluminum tenon.
3. PDR Poles can be cut to custom lengths. Consult factory.

See PDR Spec Sheet for Additional Specifications and EPAs

Mounting Options:



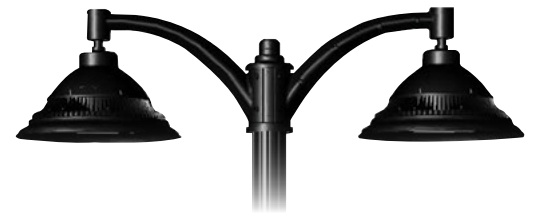
PT301 with Single Wall Mount Arm (ASWM11)

Single Wall Mount Arm, Black Powdercoat Finish, Includes Hardware. Mounts Directly to Wall



PT301 with Single Pole Mount Arm (PTMA11)

Single Pole Mount Arm, Black Powdercoat Finish, Includes Hardware. Requires 3" Tenon.



PT301 with Dual Pole Mount Arm (PTMA12)

Dual Pole Mount Arm, Black Powdercoat Finish, Includes Hardware. Requires 3" Tenon.

EPA (Effective Projected Area) Shown with Mounting Arms.

| Configuration | EPA (Sq. Ft.) | Weight (Lbs.) | Configuration | EPA (Sq. Ft.) | Weight (Lbs.) |
|---------------|---------------|---------------|---------------|---------------|---------------|
| 1 | 0.64 | 22 Lbs | 2@180' Mount | 1.28 | 44 Lbs |

Accessories & Replacement Parts:



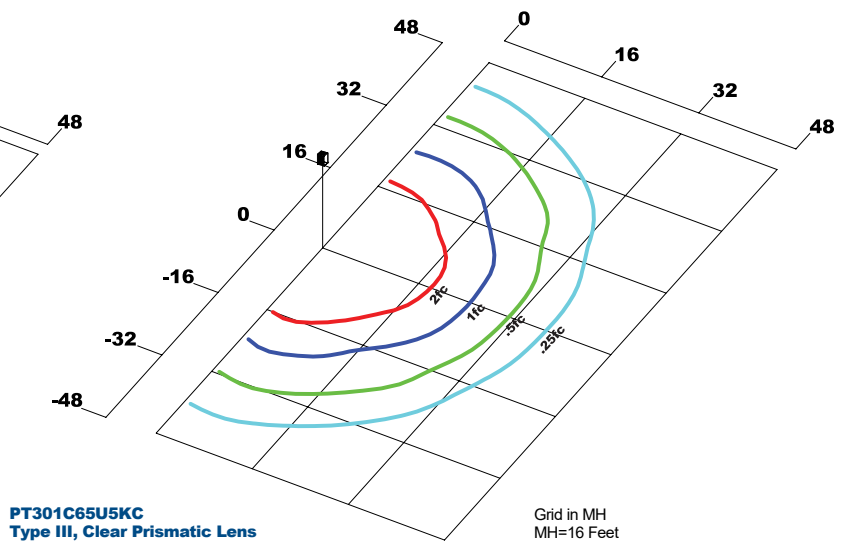
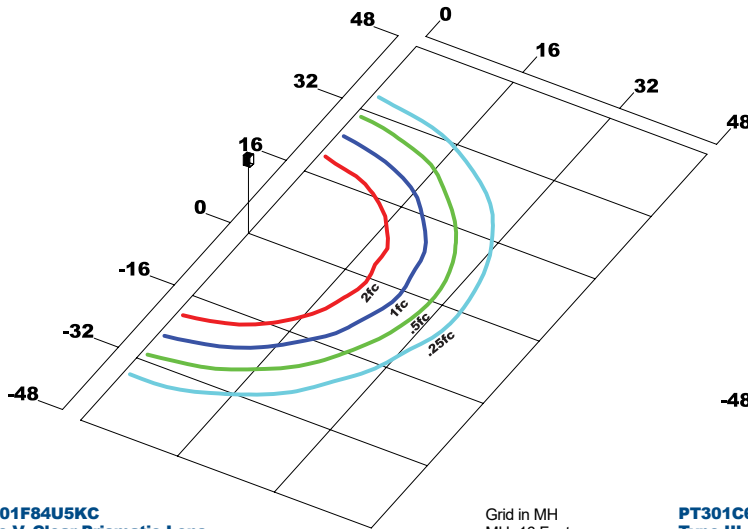
Accessories (Order Separately, Field Installed)

| | |
|--------|--|
| P18131 | Twist Lock Non-Shorting (Open) Cap Disconnects Service to Fixture for Temporary or Permanent Disabling (Fixture Always Off). IP65, 480V Maximum. |
| P18132 | Twist Lock Shorting Cap Provides Fixed Service to Fixture (Fixture Always on). IP65, Rated Load 7200w Tungsten. |
| P18140 | 110-120VAC Instant Twist Lock Photocell |
| P18150 | 120VAC Time Delay Twist Lock Photocell |
| P18152 | 277VAC Time Delay Twist Lock Photocell |
| P18156 | 120-277VAC Universal Twist Lock Photocell |
| P18157 | 480VAC Time Delay Twist Lock Photocell. For 480V use only. |

Replacement Parts (Order Separately, Field Installed)

| | |
|--------|--|
| P17117 | Internal Microwave Sensor with Dimming for Mounting Heights of 8 to 40'. 120-277VAC, 50/60Hz. |
| P17123 | Internally Mounted Microwave On/Off Motion Sensor for Mounting Heights of 8' to 19', 120-277VAC, 50/60Hz |

Photometric Data





Astor Series

L70 25°C 473,000 Hours

PT301 Astor Bell Pendant Decorative Pole Mounted Luminaire

Photometric Performance

| LED Board Watts | Drive Current (mA) | Input Watts | Optics | 5000 CCT 80 CRI | | | | | 4000 CCT 80 CRI | | | | | 3000 CCT 80 CRI | | | | |
|-----------------|--------------------|-------------|---------------------------------------|-----------------|-----|---|---|---|-----------------|-----|---|---|---|-----------------|-----|---|---|---|
| | | | | Lumens | LPW | B | U | G | Lumens | LPW | B | U | G | Lumens | LPW | B | U | G |
| EasyLED 37w | 525 | 39 | Type III (Clear Prismatic Array Lens) | 3,228 | 83 | 1 | 0 | 1 | 3,107 | 80 | 1 | 0 | 1 | - | - | - | - | |
| EasyLED 65w | | 68 | Type III (Clear Prismatic Array Lens) | 5,671 | 83 | 2 | 0 | 2 | 5,458 | 80 | 2 | 0 | 2 | 5,246 | 77 | 2 | 0 | 2 |
| EasyLED 84w | | 86 | Type III (Clear Prismatic Array Lens) | 7,067 | 82 | 2 | 0 | 2 | 6,802 | 79 | 2 | 0 | 2 | - | - | - | - | |
| | | | Type V (Clear Prismatic Array Lens) | 9,614 | 112 | 3 | 3 | 0 | 8,965 | 104 | 3 | 3 | 0 | 8,653 | 101 | 3 | 3 | 0 |
| | | | Type V (LumaLens Array Lens) | 8,220 | 96 | 3 | 3 | 0 | 7,665 | 89 | 3 | 3 | 0 | 7,398 | 86 | 3 | 3 | 0 |

Projected Lumen Maintenance

| Data shown for 5000 CCT | | Compare to MH | | | | |
|--------------------------------------|--------------------------------------|---------------|------------|------------|-------------|---------------------|
| TM-21-11 | Input Watts | Initial | 25,000 Hrs | 50,000 Hrs | 100,000 Hrs | Calculated LED Life |
| L70 Lumen Maintenance @ 25°C / 77°F | All wattages up to and including 86w | 1.00 | 0.98 | 0.97 | 0.94 | 473,000 |
| L70 Lumen Maintenance @ 50°C / 122°F | | 1.00 | 0.97 | 0.95 | 0.90 | 290,000 |
| L80 Lumen Maintenance @ 40°C / 104°F | | 1.00 | 0.98 | 0.95 | 0.91 | 220,000 |

NOTES:

1. Projected per IESNA TM-21-11. Data references the extrapolated performance projections for the 525mA base model in a 25°C ambient, based on 10,000 hours of LED testing per IESNA LM-80-08.
2. Compare to MH box indicates suggested Light Loss Factor (LLF) to be used when comparing to Metal Halide (MH) systems.