

## Applications:

Parking structures, storage areas, shopping area walkways, entryway, and low level security.



## Features

- Heavy-duty cast aluminum housing and removable door 3G vibration rated to ensure strength of construction and longevity in application.
- Housing is completely sealed against moisture and environmental contaminants. Vented housing isolates LED module from driver, maximizing
- Available in IES Type II, III distributions.
- Offered Standard in 3000K, 3500K, 4000K and 5000K (+/- 275K) CCT and minimum 70 CRI.
- Scalable Lumen Packages from 6,100 to 20,000 Lumens replaces up to 400W Metal Halide.
- Optics is precisely designed to shape the distribution, maximizing efficiency and application spacing.
- Standard drivers feature electronic universal voltage (120-277V 50/60Hz).
- Standard 1-10V dimming and 10kV/10kA common- and differential- mode surge protection available.
- Greater than 0.9 power factor, less than 20% harmonic distortion, and is suitable for operation in -40°C to 45°C ambient environments.
- LED drivers mount to die-cast aluminum back housing for optimal heat sinking, operation efficacy, and prolonged life.
- Lifespan
- Estimated 100,000-hour LED lifespan based on IES LM-80 results and TM-21 calculations

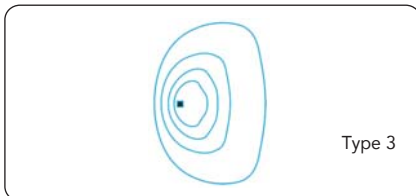
## ORDERING GUIDE

Example: SL1100U4KSGPOT3

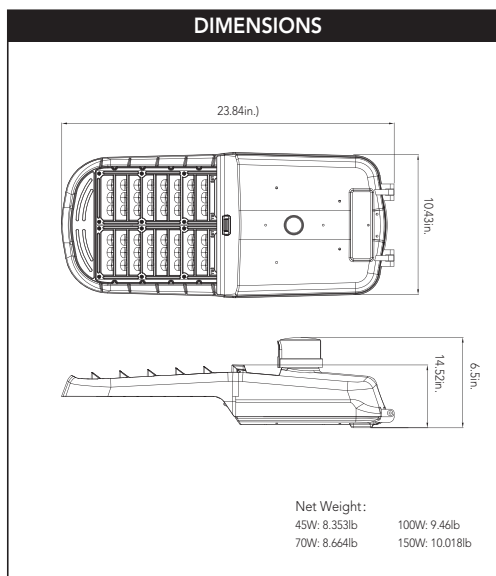
Fixture Type	Wattage	Voltage	CCT	Finish	Photocell (Option)	Photometry		
SL1	100 100W 150 150W	U 120-277V	4K 4000K	SG Silver Gray	P0 120-277V Photocell	T3 TYPE III Photometry		

## PHOTOMETRICS

Type 3 optics produces an asymmetrical pattern that directs the majority of the light forward and equally on both sides of the luminaire. In a back-to-back configuration, it creates a rectangular pattern which can extend pole spacings.



## DIMENSIONS



Specifications subject to change without notice.



# LED Cobra Head Street Light Series SL1

## PERFORMANCE DATA

SYSTEM WATTS	VOLTAGE	DIST. TYPE	CRI	LUMENS (3000K)	LPW (3000K)	LUMENS (3500K)	LPW (3500K)	LUMENS (4000K)	LPW (4000K)	LUMENS (5000K)	LPW (5000K)	EPA
100W	120-277V/347-480V	3	70	13000lm	130 lm/W	13200lm	132 lm/W	13600lm	136 lm/W	13800lm	138 lm/W	0.4711
100W	120-277V/347-480V	2	70	13000lm	130 lm/W	13200lm	132 lm/W	13600lm	136 lm/W	13800lm	138 lm/W	0.4711
150W	120-277V/347-480V	3	70	19500lm	130 lm/W	19600lm	131 lm/W	19800lm	132 lm/W	20000lm	133 lm/W	0.4711
150W	120-277V/347-480V	2	70	19500lm	130 lm/W	19600lm	131 lm/W	19800lm	132 lm/W	20000lm	133 lm/W	0.4711

## ELECTRICAL DATA

Number Of Drivers	Driver Current (mA)	Nominal Power (W)	INPUT VOLTAGE (V)	CURRENT (Amps)
1	2600	100	120	0.83
		100	208	0.48
		100	240	0.42
		100	277	0.36
		100	347	0.29
		100	480	0.21
1	5600	150	120	1.25
		150	208	0.72
		150	240	0.63
		150	277	0.54
		150	347	0.43
		150	480	0.31

## DLC Model NO.

SYSTEM WATTS	VOLTAGE	CCT	DLC NO.	DLC Classification
150W	120-277V	3000K	MRL01150W27V30K[SG,D,B,W][Blank,P0][Blank,M]T3[Blank,0-9 or A-Z or a-z]	Premium
		3500K	MRL01150W27V35K[SG,D,B,W][Blank,P0][Blank,M]T3[Blank,0-9 or A-Z or a-z]	Premium
		4000K	MRL01150W27V40K[SG,D,B,W][Blank,P0][Blank,M]T3[Blank,0-9 or A-Z or a-z]	Premium
		5000K	MRL01150W27V50K[SG,D,B,W][Blank,P0][Blank,M]T3[Blank,0-9 or A-Z or a-z]	Premium
150W	347-480V	3000K	MRL01150W48V30K[SG,D,B,W][Blank,P3,P4][Blank,M]T3[Blank,0-9 or A-Z or a-z]	Premium
		3500K	MRL01150W48V35K[SG,D,B,W][Blank,P3,P4][Blank,M]T3[Blank,0-9 or A-Z or a-z]	Premium
		4000K	MRL01150W48V40K[SG,D,B,W][Blank,P3,P4][Blank,M]T3[Blank,0-9 or A-Z or a-z]	Premium
		5000K	MRL01150W48V50K[SG,D,B,W][Blank,P3,P4][Blank,M]T3[Blank,0-9 or A-Z or a-z]	Premium

Specifications subject to change without notice.