

## V43

### EasyLED Large Shallow Canopy

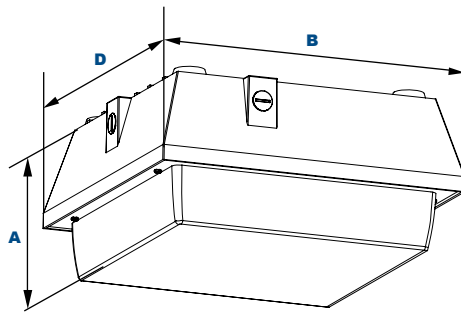
L70  
25°C

177,000 Hours



#### Dimensions

Width (D)	12½" (314mm)
Length (B)	12½" (314mm)
Height (A)	6" (152mm)



## EasyLED Technology

The Jemm V43 Large Shallow Canopy luminaire is available for surface or pendant mounting configurations with an optical distribution designed specifically to replace HID lighting systems up to 175w MH or HPS. Typical lighting applications include retail centers, industrial parks, schools and universities, public transit and airports, office buildings and medical facilities. Mounting heights of 12 to 20 feet can be used based on light level and uniformity requirements.

#### Specifications and Features:

##### Housing:

Die Cast Aluminum Housing, ½" Coin Plugs with O-rings for Conduit & Photocell on Two Sides & Back, Nickel-Plated Stainless Steel Hardware.

##### Listing & Ratings:

CSA: Listed for Wet Locations, ANSI/UL 1598, 8750.  
(Damp Locations When Used with VNQM.); IP65 Sealed LED Compartment.

##### Finish:

Textured Architectural Bronze Powdercoat Finish Over a Chromate Conversion Coating. Custom Colors Available Upon Request.

##### Lens:

Low-Profile LexaLite Clear Acrylic Prismatic Lens

##### Mounting Options:

Mount Directly Over a 4" Recessed Outlet Box, or Use ½" Surface Conduit or Quick-Mount Bracket.

##### EasyLED LED:

Aluminum Boards

##### Wattage:

Array: 45.4w, System: 52.6w; (175w HID Equivalent)

##### Driver:

Electronic Driver, 120-277V, 50/60Hz or 347-480V, 50/60Hz; Less Than 20% THD and PF>0.90. Standard Internal Surge Protection 6kV. 0-10V Dimming Standard for a Dimming Range of 100% to 10%; Dimming Source Current is 150 Microamps.

##### Controls:

Fixtures Ordered with Factory-Installed Photocell or Motion Sensor Controls are Internally Wired for Switching and/or 1-10V Dimming Within the Housing. Remote Direct Wired Interface of 1-10V Dimming is Not Implied and May Not Be Available, Please Consult Factory. Fixtures are Tested with LEPG Controls and May Not Function Properly With Controls Supplied By Others. Fixtures are NOT Designed for Use with Line Voltage Dimmers.

##### Warranty:

5-Year Warranty for -40°C to +40°C Environment.

See Page 2 for Projected Lumen Maintenance Table.

#### Order Information Example:

V43F45U5KZSP

V43	F	45				
Model	Optics	Wattage	Driver	CCT	Color	Options
V43= EasyLED Large Shallow Canopy	F=Type V	45=45w	U=120-277V H=347-480V	4K=4000K 5K=5000K	Z=Bronze C=Custom (Consult Factory)	SF=Single Fuse (120-277V Only) DF=Double Fuse (120-277V Only) SP=Surge Protection PC1=Photocell, 120VAC PC3=Photocell, 120-277VAC S2=Microwave Sensor with Dimming for Mounting Heights of 8 to 40'. (120-277V Only) S4=Microwave On/Off Motion Sensor for Mounting Heights of 8' to 19'. (120-277V Only) QM=Quick Mount/Pendant Mount BU=Battery Backup, 90 Minutes

#### Project Information:

Project Name: \_\_\_\_\_ Fixture Type: \_\_\_\_\_

Complete Catalog #: \_\_\_\_\_ Date: \_\_\_\_\_

Comments: \_\_\_\_\_

#### Certification & Listings:



DesignLights Consortium™  
Qualified Luminaire:  
VN43QF1X45U5K\*



### Accessories & Replacement Parts:

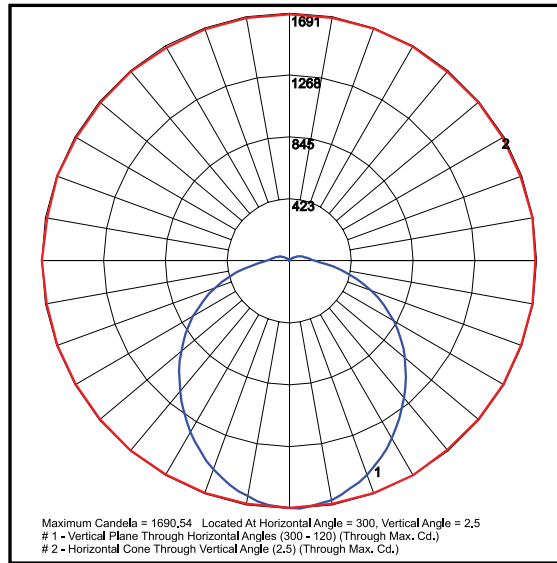
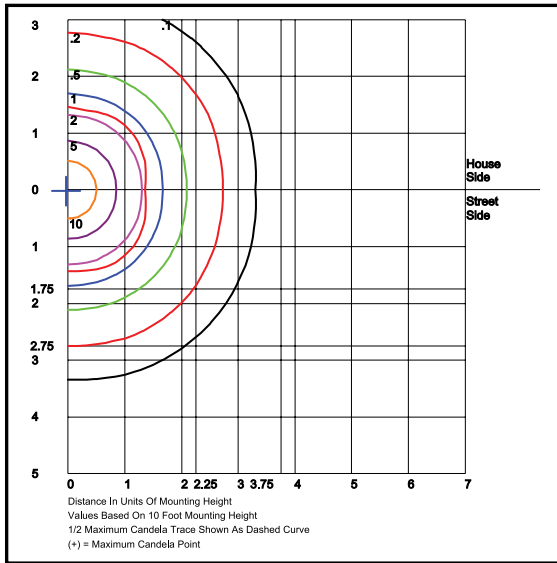


### Replacement Parts (Order Separately, Field Installed)

VN43AC	Low-Profile LexaLite Clear Acrylic Lens
VNQM	Hinged Quick-Mount Bracket, Stamped Steel, Mount Over Recessed Electrical Box, or Use 1/4" NPS Downrod for Pendant Mounting. CSA Listed for Damp Location Mounting.
P18100	120VAC Photocell
P18103	120-277VAC Photocell
P17117	Internal Microwave Sensor with Dimming for Mounting Heights of 8 to 40'. 120-277VAC, 50/60Hz
P17123	Internally Mounted Microwave On/Off Motion Sensor for Mounting Heights of 8' to 19', 120-277VAC, 50/60Hz

For Replacement Battery Backup, see the LEPG LED Battery Backup Specification Sheet.

### Photometric Data



**VN40F45U5K**  
Type V  
Grid in MH  
MH=10 Feet

**VN40F45U5K**  
Type V

### Photometric Performance

LED Board Watts	Drive Current (mA)	Input Watts	Optics	5000 CCT 80 CRI				4000 CCT 80 CRI					
				Lumens	LPW	B	U	G	Lumens	LPW	B	U	G
EasyLED 45w	117	53	Type V	5,427	102	2	3	2	5,210	98	2	3	2

### Projected Lumen Maintenance

Data shown for 5000 CCT	Compare to MH						
	TM-21-11	Input Watts	Initial	25,000 Hrs	50,000 Hrs	100,000 Hrs	Calculated L70@ 25°C
L70 Lumen Maintenance @ 25°C / 77°F	53	1.00	0.96	0.92	0.83		177,000
Data shown for 5000 CCT	Compare to MH						
TM-21-11	Input Watts	Initial	25,000 Hrs	50,000 Hrs	100,000 Hrs	Calculated L70@ 50°C	
L70 Lumen Maintenance @ 50°C / 122°F	53	1.00	0.93	0.85	0.71		102,000
Data shown for 5000 CCT	Compare to MH						
TM-21-11	Input Watts	Initial	25,000 Hrs	50,000 Hrs	100,000 Hrs	Calculated L80@ 40°C	
L80 Lumen Maintenance @ 40°C / 104°F	53	1.00	0.94	0.87	0.74		78,000

**NOTES:**

- Projected per IESNA TM-21-11. Data references the extrapolated performance projections for the 117mA base model in a 25°C ambient, based on 10,000 hours of LED testing per IESNA LM-80-08.
- Compare to MH box indicates suggested Light Loss Factor (LLF) to be used when comparing to Metal Halide (MH) systems.

Specifications subject to change without notice. Rev. 012820