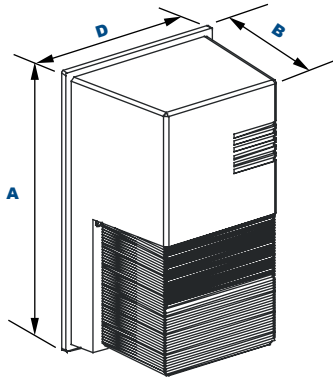


## W14

L70  
25°C

165,000 Hours

### EasyLED Polycarbonate Mini Wall Pack



#### Dimensions

<b>Width (D)</b>	6¼" (172mm)
<b>Length (B)</b>	5¼" (133mm)
<b>Height (A)</b>	18½" (470mm)

The Jemm Lighting W14 general purpose wall pack provides optically controlled wide spread light distribution designed to replace HID lighting systems up to 70w MH or HPS. Typical wall mounted lighting applications include retail centers, industrial parks, schools and universities, public transit and airports, office buildings and medical facilities. Mounting heights of 8 to 15 feet can be used based on light level and uniformity requirements.

#### Specifications and Features:

##### Housing:

Die Cast Aluminum Back Plate with Cast-in Template for Mounting Over an Electrical Box and Conduit Access on the Bottom. Aluminum Reflector. 120V Photocell Included. Fixture is for wired 120V Standard.

##### Listing & Ratings:

CSA: Listed for Wet Locations, ANSI/UL 1598, 8750; IP65 Sealed LED Compartment.

##### Finish:

Bronze Polycarbonate Front Housing with Clear Prismatic Lens Area.

##### Lens:

Molded Prismatic Polycarbonate Lens & Front Housing.

##### Mounting Options:

Cast-in Template for Mounting Directly Over a 4" Recessed Outlet Box, or Use ½" Surface Conduit.

##### EasyLED LED:

Aluminum Boards

##### Wattage:

Array: 12.5w, System: 14.1w; (70w HID Equivalent)

##### Driver:

Electronic Driver, 120-277V, 50/60Hz; Less Than 20% THD and PF>0.90. Standard Internal Surge Protection 2kV. 0-10V Dimming Standard for a Dimming Range of 100% to 10%; Dimming Source Current is 150 Microamps.

##### Controls:

Fixtures Ordered with Factory-Installed Photocell or Motion Sensor Controls are Internally Wired for Switching and/or 1-10V Dimming Within the Housing. Remote Direct Wired Interface of 1-10V Dimming is Not Implied and May Not Be Available, Please Consult Factory. Fixtures are Tested with LEPC Controls and May Not Function Properly With Controls Supplied By Others. Fixtures are NOT Designed for Use with Line Voltage Dimmers.

##### Warranty:

5-Year Warranty for -40°C to +40°C Environment.

See Page 2 for Projected Lumen Maintenance Table.

#### Order Information Example:

W14F13U5KZSF

W14	F	13	U			
Model	Optics	Wattage	Driver	CCT	Color	Options
W14= EasyLED Polycarbonate Mini Wall Pack	F=Type IV	1X13=13w	U=120-277V	3K=3000K 5K=5000K	Z=Bronze C=Custom (Consult Factory)	SF=Single Fuse DF=Double Fuse

#### Project Information:

Project Name: \_\_\_\_\_ Fixture Type: \_\_\_\_\_

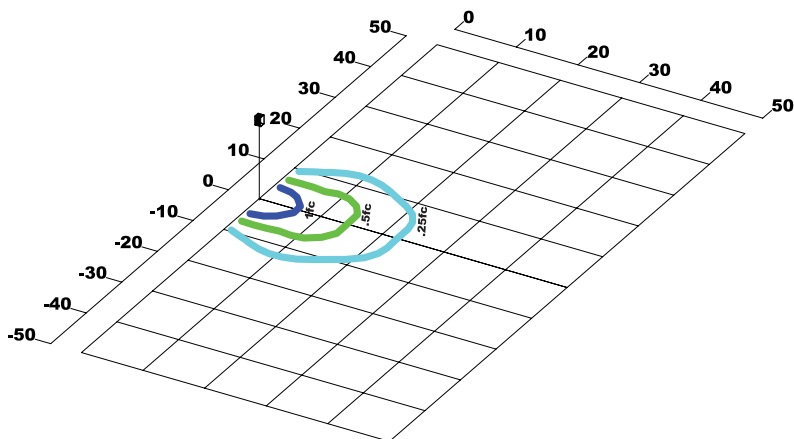
Complete Catalog #: \_\_\_\_\_ Date: \_\_\_\_\_

Comments: \_\_\_\_\_

#### Certification & Listings:



### Photometric Data



W14F13U5KZSF  
Type IV

Grid in MH  
MH=10 Feet

### Photometric Performance

LED Board Watts	Drive Current (mA)	Input Watts	Optics	5000 CCT 80 CRI					3000 CCT 80 CRI				
				Lumens	LPW	B	U	G	Lumens	LPW	B	U	G
EasyLED 13w	116	14	Type IV	1,054	71	0	3	2	933	67	0	3	2

### Projected Lumen Maintenance

Data shown for 5000 CCT TM-21-11	Input Watts	Compare to MH				
		Initial	25,000 Hrs	50,000 Hrs	100,000 Hrs	Calculated L70@ 25°C
L70 Lumen Maintenance @ 25°C / 77°F	14	1.00	0.95	0.91	0.82	165,000
TM-21-11	Input Watts	Initial	25,000 Hrs	50,000 Hrs	100,000 Hrs	Calculated L70@ 50°C
L70 Lumen Maintenance @ 50°C / 122°F	14	1.00	0.92	0.84	0.69	96,000
TM-21-11	Input Watts	Initial	25,000 Hrs	50,000 Hrs	100,000 Hrs	Calculated L80@ 40°C
L80 Lumen Maintenance @ 40°C / 104°F	14	1.00	0.93	0.86	0.73	74,000

**NOTES:**

1. Projected per IESNA TM-21-11. Data references the extrapolated performance projections for the 116mA base model in a 25°C ambient, based on 10,000 hours of LED testing per IESNA LM-80-08.
2. Compare to MH box indicates suggested Light Loss Factor (LLF) to be used when comparing to Metal Halide (MH) systems.