

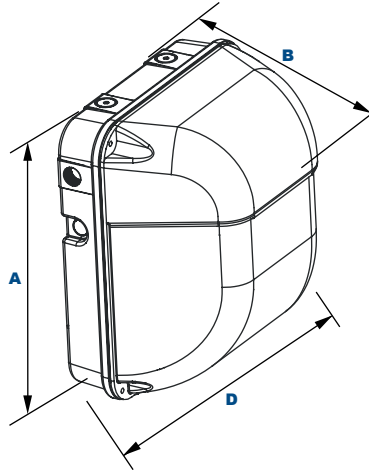


WB40

L70
25°C

169,000 Hours

EasyLED Bravo! Wall Pack



Dimensions

Width (D)	10 ³ / ₈ " (267mm)
Length (B)	9 ³ / ₈ " (184mm)
Height (A)	12 ¹ / ₄ " (299mm)

The Jemm Lighting WB40 general purpose wall pack luminaire provides optically controlled wide spread light distribution designed to replace HID lighting systems from 70w to 175w MH or HPS. Typical wall mounted lighting applications include retail centers, industrial parks, schools and universities, public transit and airports, office buildings and medical facilities. Mounting heights of 12 to 18 feet can be used based on light level and uniformity requirements.

Specifications and Features:

Housing:

Die Cast Aluminum Back Housing with Cast-in Template for Mounting Over an Electrical Box, Color Matched Hinged Polycarbonate Front Housing with Clear Ribbed Lens Area, 1/2" Coin Plugs with O-rings for Conduit & Optional Pencil Photocell.

Finish:

Textured Architectural Bronze Finish Over a Chromate Conversion Coating.

Lens:

Standard Clear Polycarbonate Prismatic Lens

Mounting Options:

Mount Directly Over a 4" Recessed Outlet Box, or Use 1/2" Surface Conduit or Quick-Mount Bracket.

EasyLED LED:

Aluminum Boards

Wattage:

Array: 33.3w, System: 36.6w
(175w HID Equivalent)

Driver:

Electronic Driver, 120-277V, 50/60Hz or 347/480V, 50/60Hz; Dimmable Driver

Listing & Ratings:

CSA: Listed for Wet Locations.
Operating Temperatures: -40°C to +40°C
IP65 Sealed LED Compartment.

See Page 2 for Projected Lumen Maintenance Table.

5-Year Warranty.

Order Information Example:

WB33U5KZSP

Model	Optics	Wattage	Driver	CCT	Color	Options
WB40= EasyLED Bravo! Wall Pack	Blank =Type IV	33=33w	U=120-277V H=347/480V	5K=5000K	Z=Bronze	SF=Single Fuse DF=Double Fuse SP=Surge Protection P10=Pencil Photocell, 120VAC P12=Pencil Photocell, 277VAC

Project Information:

Project Name: _____ Fixture Type: _____

Complete Catalog #: _____ Date: _____

Comments: _____

Certification & Listings:



Accessories & Replacement Parts:

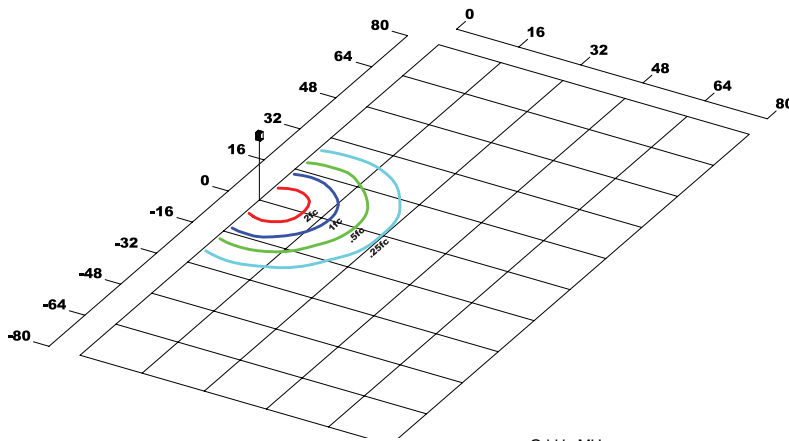


P18110 & P18112

Replacement Parts (Order separately, Field installed)

P18110	110-130V 120VAC Pencil Photocell
P18112	208-277V 240VAC Pencil Photocell

Photometric Data



WB40F33U5K
Type IV

Grid in MH
MH=16 Feet

Photometric Performance

5000 CCT 80 CRI

LED Board Watts	Drive Current (mA)	Input Watts	Optics	Lumens	LPW	B	U	G
EasyLED 33w	500	37	Type IV	3,114	84	1	3	2

Projected Lumen Maintenance

Data shown for 5000 CCT		Compare to MH					
TM-21-11	Input Watts	Initial	25,000 Hrs	50,000 Hrs	100,000 Hrs	Calculated L70@ 25°C	
L70 Lumen Maintenance @ 25°C / 77°F	37	1.00	0.96	0.91	0.82	169,000	
000		Input Watts	Initial	25,000 Hrs	50,000 Hrs	100,000 Hrs	Calculated L70@ 50°C
L70 Lumen Maintenance @ 50°C / 122°F	37	1.00	0.92	0.85	0.69	98,000	
TM-21-11		Input Watts	Initial	25,000 Hrs	50,000 Hrs	100,000 Hrs	Calculated L80@ 40°C
L80 Lumen Maintenance @ 40°C / 104°F	37	1.00	0.93	0.87	0.73	75,000	

NOTES:

1. Projected per IESNA TM-21-11. Data references the extrapolated performance projections for the 500mA base model in a 25°C ambient, based on 10,000 hours of LED testing per IESNA LM-80-08.
2. Compare to MH box indicates suggested Light Loss Factor (LLF) to be used when comparing to Metal Halide (MH) systems.