

# WDD5

## Dusk to Dawn Wall Pack

### DESCRIPTION

The WDD5 Series luminaires offer traditional Dusk to Dawn features with softened edges for a versatile look that complements many applications. High-performance, energy efficient solution for yard lights, the WDD5 series uses breakthrough LEDs and precision-engineered optics to provide exceptional illumination while also saving energy.

### SPECIFICATION FEATURES

#### Overview

- Initial Delivered Lumens: 6,150~12,200lm
- CRI: ≥ 70
- Mounting: Mounts directly to wall surface or to pole with mounting arm (accessory sold separately)
- Replaces up to 250W MH
- CCT: Optioal 4000K and 5000K
- Lifespan: Estimated >50,000 Hours

#### Construction

- Durable, die-cast aluminum housing silver gray polyester powder-coat finish
- Photocell included

#### Recommended use

- General Area Illumination
- Entryways & Pathways
- Yards & Loading Docks

#### Warranty:

5-Year Warranty for -40°C to +40°C Environment.

#### Electrical

- Input Voltage: 120-277V
- Power Factor: ≥ 0.9
- Total Harmonic Distortion: ≤20%
- Operating Temperature Range: -40°C - + 40°C (-40°F - + 104°F)

#### Certifications

- DesignLights Consortium™ Qualified.
- UL cUL wet location listed.

Note: DesignLights Consortium™ Qualified and classified for DLC Standard (all lumen packages), refer to [www.designlights.org](http://www.designlights.org) for details.



### ORDERING GUIDE

Example: WDD5 45U D PO

Fixture Type	Wattage	Voltage	CCT	Finish	Photocell	Internal Code
WDD5	45 45W 65 65W 90 90W	U-120-277V	4K 4000K 5K 5000K	SG Silver Gray D Dark Bronze	P0 With 120-277V Photocell	Blank Alphanumeric

#### Project Information:

Project Name: \_\_\_\_\_ Fixture Type: \_\_\_\_\_

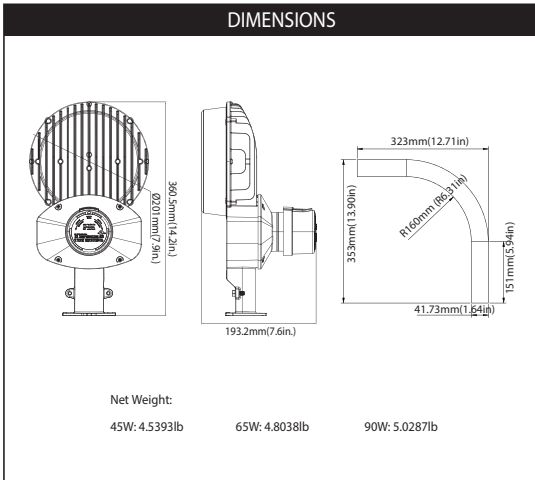
Complete Catalog #: \_\_\_\_\_ Date: \_\_\_\_\_

Comments: \_\_\_\_\_

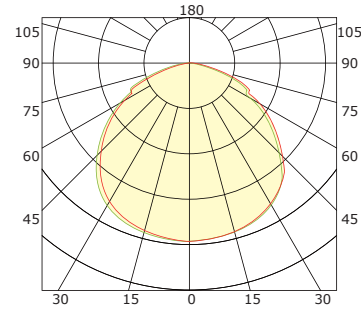
#### Certification & Listings:





Specifications subject to change without notice. Rev. 110918



### PHOTOMETRICS



### ACCESSORIES

	<p>Mounting arm kit (Optional)                  USE: For pole mounting</p>
	<p>Photocell                  USE: Photocell is field installed or pre-installed in factory by requesting</p>

### PERFORMANCE DATA

SYSTEM WATTS	VOLTAGE	CRI	LUMENS (4000K)	LPW (4000K)	LUMENS (5000K)	LPW (5000K)
45W	120-277V	70	6150lm	137 lm/W	6200lm	138 lm/W
65W	120-277V	70	8650lm	133 lm/W	8800lm	135 lm/W
90W	120-277V	70	12200lm	136 lm/W	12200lm	136 lm/W

### ELECTRICAL DATA

Number Of Drivers	Driver Current (mA)	Nominal Power (W)	INPUT VOLTAGE (V)	CURRENT (Amps)
1	1100	45	120	0.38
		45	208	0.22
		45	240	0.19
		45	277	0.16
1	1630	65	120	0.54
		65	208	0.31
		65	240	0.27
		65	277	0.23
1	2270	90	120	0.75
		90	208	0.43
		90	240	0.38
		90	277	0.32