



Medium Floodlight - F2 Series
50 - 150W Pulse Start Metal Halide (MH)
35 - 150W High Pressure Sodium (HPS)



Job Name: _____

Type: _____

Catalog Number: _____

Applications: Suitable for commercial, security, landscape and area lighting. Excellent for low level floodlighting such as landscaping, display, building facades and sign lighting. Use anywhere a wide and even distribution is required. Metal Halide provides a crisp white light while High Pressure Sodium provides a golden yellow light. Dimensions without the mounting arm: Height: 10-1/4", Width: 9", Extends from Wall: 7-1/4"

Catalog Number	Description	Volts	Total Watts	Lamp Life	Lamp Lumens	Lamp Type	Max Amps 120/208/240/277	Ballast Type	ANSI Code
F2M50DT	50W MH, Dual Tap	DT	72	10,000	3,400	ED17	.6 / .25	HX-HPF	M110
F2M70QT	70W MH, Quad Tap	QT	90	15,000	5,600	ED17	.8 / .55 / .5 / .35	HX-HPF	M98
F2M100QT	100W MH, Quad Tap	QT	125	15,000	9,000	ED17	1.1 / .65 / .55 / .5	HX-HPF	M90
F2M150QT	150W MH, Quad Tap	QT	187	15,000	12,500	ED17	1.8 / 1.12 / .95 / .80	HX-HPF	M102
F2H35	35W HPS 120V	120	46	24,000	2,250	ED17	.85	R-NPF	S76
F2H50	50W HPS 120V	120	62	24,000	4,000	ED17	1.2	R-NPF	S68
F2H50DT	50W HPS, 120/277	DT	62	24,000	4,000	ED17	.6 / .25	HX-HPF	S68
F2H70	70W HPS 120V	120	90	24,000	6,300	ED17	1.7	R-NPF	S62
F2H70QT	70W HPS, Quad Tap	QT	90	24,000	6,300	ED17	.8 / .45 / .4 / .35	HX-HPF	S62
F2H100	100W HPS, 120V	120	115	24,000	9,500	ED17	2.15	R-NPF	S54
F2H100QT	100W HPS, Quad Tap	QT	125	24,000	9,500	ED17	1.1 / .6 / .55 / .45	HX-HPF	S54
F2H150	150W HPS, 120V	120	187	24,000	16,000	ED17	3.2	R-NPF	S55
F2H150QT	150W HPS, Quad Tap	QT	187	24,000	16,000	ED17	1.8 / 1.12 / .95 / .8	HX-HPF	S55

Specifications:

Housing: Heavy duty die cast aluminum with hinged door. Housing aiming is achieved with an adjustable 1/2" NPT threaded arm and locknut.

Lens: Impact and thermal shock resistant clear soda lime glass.

Gasket: Housing and door are sealed with a high temperature silicone gasket which seals out moisture and dirt.

Reflector: Heavy gauge anodized semi-specular aluminum.

Socket: Porcelain Medium base, E26, 4KV pulse rated with nickel plated screw shell.

Ballasts: Magnetic, Core and Coil construction. Depending on model they are available in 120V, Normal Power Factor, Dual Tap (DT) 120 / 277V High Power factor or Quad Tap (QT) - 120/208/240/277V High Power Factor.

Lamp: Energy efficient HPS or Pulse Start Metal Halide, included.

Hardware: All hardware inside and outside the luminaire is nickel plated stainless steel.

Finish: Architectural Bronze. A nine step process of cleaning and treating the aluminum prepares it for powder coating. A durable polyester powder coat finish is then applied ensuring a long lasting finish.

Photocell: Specify **PC1** for 120V and **PC2** for 208-277V. Field Installed.

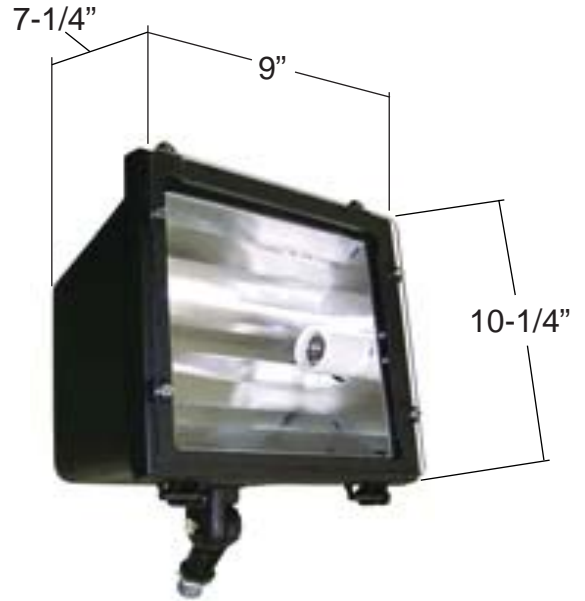
Approvals: CSA (c & us) Listed. Suitable for Wet Locations

Note: 1- Specifications may change without notice.
 2. Lamp Life and Lumens listed are initial values and are affected by lamp orientation and operating conditions.

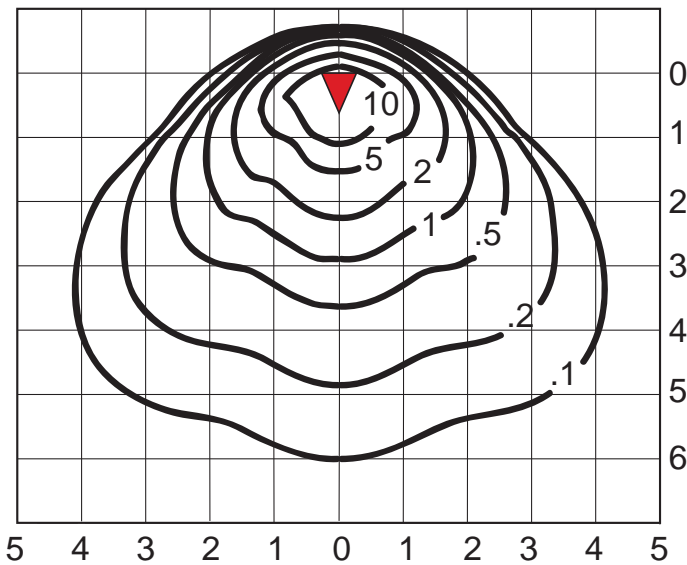


Medium Floodlight - F2 Series
50 - 150W Pulse Start Metal Halide (MH)
35 - 150W High Pressure Sodium (HPS)

The chart is based on an F2 floodlight mounted 10' above the ground and tilted 45 degrees. Each iso-line represents the footcandle level along the path. Each square represents the mounting height. To change the height of the fixture or to change the wattage use the multipliers below.



F2M150 - 150W Metal Halide



Mounting Height	Multiplier
8'	1.56
10'	1
12'	.69
14'	.51
16'	.39
18'	.31
20'	.25

Watts HPS	Multiplier
35 HPS	.28
50 HPS	.32
70 HPS	.50
100 HPS	.76
150 HPS	1.28

Watts MH	Multiplier
50	.27
70	.45
100	.72
150	1