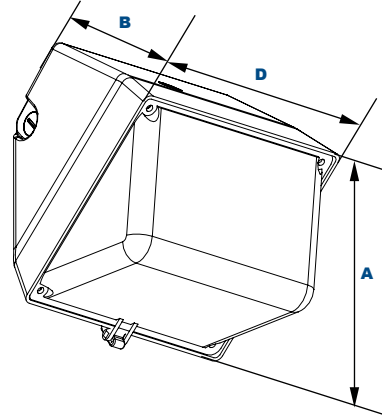


W1COB **L70** **182,000 Hours**
 EasyLED Small Wall Pack Polycarbonate Lens



Dimensions

Width (D)	8½" (216mm)
Length (B)	7" (178mm)
Height (A)	9½" (241mm)

The Jemm Lighting W1COB general purpose wall pack luminaire provides optically controlled wide spread light distribution designed to replace HID lighting systems up to 100w MH or HPS. Typical wall mounted lighting applications include retail centers, industrial parks, schools and universities, public transit and airports, office buildings and medical facilities. Mounting heights of 8 to 15 feet can be used based on light level and uniformity requirements.

Specifications and Features:

Housing:

Die Cast Gasketed Aluminum Front Frame and Housing with ½" Coin Plugs, Nickel-Plated Stainless Steel Hardware.

Listing & Ratings:

CSA: Listed for Wet Locations, ANSI/UL 1598, 8750
 IP55 Sealed LED Compartment.

Finish:

Textured Architectural Bronze Powdercoat Finish Over a Chromate Conversion Coating. Custom Colors Available Upon Request.

Lens:

Prismatic Polycarbonate Hinged Diffuser with UV Inhibitors.

Mounting Options:

Mount Directly Over a 4" Recessed Outlet Box, or Use ½" Surface Conduit or Optional Wall Mount Plate.

EasyLED LED:

Aluminum Boards

Wattage:

Array: 22.7w, System: 27.6w
 (100w HID Equivalent)

Driver:

Electronic Driver, 120-277V, 50/60Hz; Dimmable Driver

Warranty:

5-Year Warranty for -40°C to +40°C Environment.

See Page 2 for Projected Lumen Maintenance Table.

Order Information Example:

W1COB23U5KZSP

Model	Optics	Wattage	Driver	CCT	Color	Options
W1COB=EasyLED Small Wall Pack - Polycarbonate Lens	Blank =Type IV	23=23w	U=120-277V	4K=4000K 5K=5000K	Z=Bronze C=Custom (Consult Factory)	SF=Single Fuse DF=Double Fuse SP=Surge Protection PC1=Photocell, 120VAC PC2=Photocell, 250-305VAC

Project Information:

Project Name: _____ Fixture Type: _____
 Complete Catalog #: _____ Date: _____
 Comments: _____

Certification & Listings:



Accessories & Replacement Parts:



WMP



WP10PC

Mounting Accessories (Order separately, Field installed)

WPMP Die Cast Wall Mount Plate with Locknut, O-ring & Weatherproof Gasket.

Replacement Parts (Order separately, Field installed)

W1PC Prismatic Polycarbonate Hinged Diffuser.

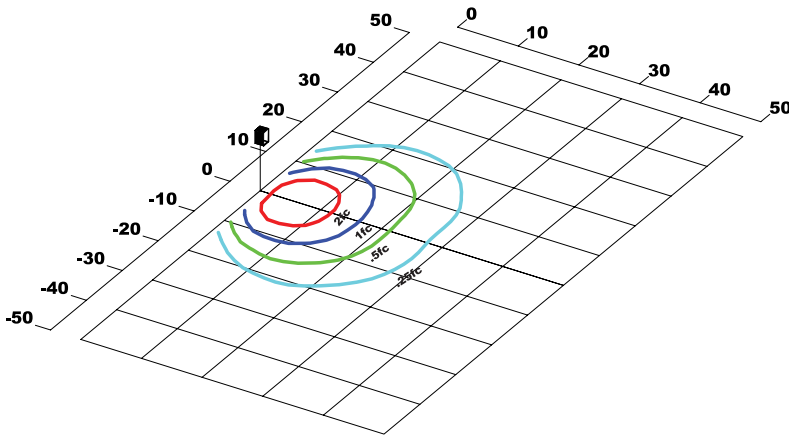
PC1 120VAC Photocell

PC2 250-305VAC Photocell



PC1 & PC2

Photometric Data



W1COB23U5KZSP
Type IV

Grid in MH
MH=10 Feet

Photometric Performance

LED Board Watts	Drive Current (mA)	Input Watts	Optics	5000 CCT 80 CRI					4000 CCT 80 CRI				
				Lumens	LPW	B	U	G	Lumens	LPW	B	U	G
EasyLED 23w	700	28	Type IV	2,578	92	0	4	3	2,474	90	0	4	3

Projected Lumen Maintenance

Data shown for 5000 CCT			Compare to MH				
TM-21-11	Input Watts	Initial	25,000 Hrs	50,000 Hrs	100,000 Hrs	Calculated L70@ 25°C	
L70 Lumen Maintenance @ 25°C / 77°F	28	1.00	0.96	0.92	0.84	182,000	
TM-21-11	Input Watts	Initial	25,000 Hrs	50,000 Hrs	100,000 Hrs	Calculated L70@ 50°C	
L70 Lumen Maintenance @ 50°C / 122°F	28	1.00	0.93	0.86	0.71	104,000	
TM-21-11	Input Watts	Initial	25,000 Hrs	50,000 Hrs	100,000 Hrs	Calculated L80@ 40°C	
L80 Lumen Maintenance @ 40°C / 104°F	28	1.00	0.94	0.88	0.75	80,000	

NOTES:

1. Projected per IESNA TM-21-11. Data references the extrapolated performance projections for the 700mA base model in a 25°C ambient, based on 10,000 hours of LED testing per IESNA LM-80-08.
2. Compare to MH box indicates suggested Light Loss Factor (LLF) to be used when comparing to Metal Halide (MH) systems.