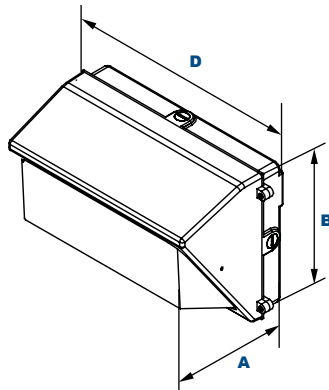


### W2 L70 25°C 165,000 Hours

## EasyLED Medium Wall Pack



#### Dimensions

<b>Width (D)</b>	14 1/4" (362mm)
<b>Length (B)</b>	7 1/4" (159mm)
<b>Height (A)</b>	9" (225mm)

The Jemm W2 general purpose wall pack luminaire provides optically controlled wide spread light distribution designed to replace HID lighting systems from 150w to 250w MH or HPS. Typical wall mounted lighting applications include retail centers, industrial parks, schools and universities, public transit and airports, office buildings and medical facilities. Mounting heights of 12 to 18 feet can be used based on light level and uniformity requirements.

#### Specifications and Features:

##### Housing:

Die Cast Aluminum Housing & Hinged Front Frame, 1/2" Coin Plugs with O-rings for Conduit & Photocell. Gasketed.

##### Listing & Ratings:

CSA: Listed for Wet Locations, ANSI/UL 1598, 8750; IP65 Sealed LED Compartment.

##### Finish:

Textured Architectural Bronze Powdercoat Finish Over a Chromate Conversion Coating. Custom Colors Available Upon Request.

##### Lens:

Prismatic Clear or SoftLED Prismatic Borosilicate Glass Lens

##### Mounting Options:

Cast-in Template for Mounting Directly Over a 4" Recessed Outlet Box, or Use 1/2" Surface Conduit.

##### EasyLED LED:

Aluminum Boards

##### Wattage:

Array: 25w, System: 27.2w; (150w HID Equivalent)  
 Array: 41.3w, System: 47w; (250w HID Equivalent)  
 Array: 50w, System: 54.3w; (250w HID Equivalent)

##### Driver:

Electronic Driver, 120-277V, 50/60Hz or 347-480V, 50/60Hz; Less Than 20% THD and PF>0.90. Standard Internal Surge Protection 6kV. 0-10V Dimming Standard for a Dimming Range of 100% to 10%; Dimming Source Current is 150 Microamps.

##### Controls:

Fixtures Ordered with Factory-Installed Photocell or Motion Sensor Controls are Internally Wired for Switching and/or 1-10V Dimming Within the Housing. Remote Direct Wired Interface of 1-10V Dimming is Not Implied and May Not Be Available, Please Consult Factory. Fixtures are Tested with LEPA Controls and May Not Function Properly With Controls Supplied By Others. Fixtures are NOT Designed for Use with Line Voltage Dimmers.

##### Warranty:

5-Year Warranty for -40°C to +40°C Environment.

See Page 2 for Projected Lumen Maintenance Table.

#### Order Information Example:

W2F50U5KZSP

W2	F						
Model	Optics	Wattage	Driver	CCT	Lens	Color	Options
W2= EasyLED Medium Wall Pack	F=Type IV	1X25=25w 1X41=41w 1X50=50w	U=120-277V H=347-480V	3K=3000K 4K=4000K 5K=5000K	(Leave Blank)= Standard Prismatic Glass Lens S=SoftLED Prismatic Glass Lens	Z=Bronze C=Custom (Consult Factory)	SF=Single Fuse (120-277V Only) DF=Double Fuse (120-277V Only) SP=Surge Protection PC1=Photocell, 120VAC PC3=Photocell, 120-277VAC P10=Pencil Photocell, 120VAC P12=Pencil Photocell, 277VAC P14=Pencil Photocell, 120-277VAC S2=Microwave Sensor with Dimming for Mounting Heights of 8 to 40'. (120-277V Only) S4=Microwave On/Off Motion Sensor for Mounting Heights of 8' to 19', (120-277V Only) BU=Battery Backup, 90 Minutes

#### Project Information:

Project Name: \_\_\_\_\_ Fixture Type: \_\_\_\_\_

Complete Catalog #: \_\_\_\_\_ Date: \_\_\_\_\_

Comments: \_\_\_\_\_

#### Certification & Listings:



DesignLights Consortium™  
 Qualified Luminaires:  
 WP15QF1X41[U H]5K\*



Specifications subject to change without notice. Rev. 072020

### Accessories & Replacement Parts:



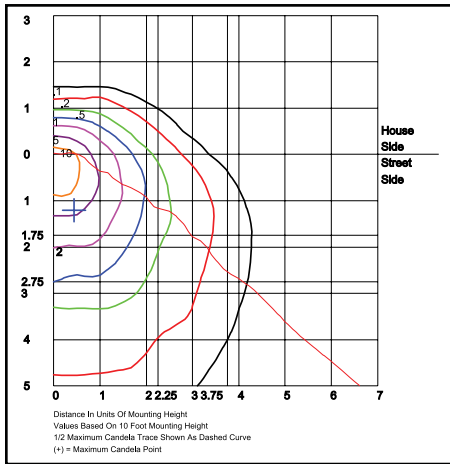
\*Shown Mounted

Accessories (Order Separately, Field Installed)	
WP15SCZ	Side Cutoff, Stamped Steel, Bronze Powdercoat Finish
WP15LG	Clear UV-Stabilized Polycarbonate Vandal Resistant Guard
WP15WG	Wire Guard, Stainless Steel Construction, Includes Hardware.

Replacement Parts (Order Separately, Field Installed)	
WP15GL	Molded Prismatic Borosilicate Glass Lens with Gasket
WP15GLSS	SoftLED Prismatic Borosilicate Glass Lens.
P18100	120VAC Photocell
P18103	120-277VAC Photocell
P18110	110-130V 120VAC Pencil Photocell
P18112	208-277V 240VAC Pencil Photocell
P18114	120-277V, 50/60Hz Pencil Photocell
P17117	Internal Microwave Sensor with Dimming for Mounting Heights of 8 to 40'. 120-277VAC, 50/60Hz
P17123	Internally Mounted Microwave On/Off Motion Sensor for Mounting Heights of 8' to 19', 120-277VAC, 50/60Hz

For Replacement Battery Backup, see the LEPG LED Battery Backup Specification Sheet.

### Photometric Data



W2F50U5K  
Type IV  
Grid in MH  
MH=16 Feet

### Photometric Performance

LED Board Watts	Drive Current (mA)	Input Watts	Optics	5000 CCT 80 CRI					4000 CCT 80 CRI					3000 CCT 80 CRI				
				Lumens	LPW	B	U	G	Lumens	LPW	B	U	G	Lumens	LPW	B	U	G
EasyLED 25w	116	27	Type IV	3,962	147	1	3	3	3,804	141	1	3	3	3,507	130	1	3	3
EasyLED 41w		47	Type IV	5,943	126	1	4	4	5,706	121	1	4	4	5,260	112	1	4	4
EasyLED 50w		54	Type IV	7,924	148	1	4	5	7,608	141	1	4	4	7,013	130	1	4	4

### Projected Lumen Maintenance

Data shown for 5000 CCT				Compare to MH			
TM-21-11	Input Watts	Initial	25,000 Hrs	50,000 Hrs	100,000 Hrs	Calculated L70@ 25°C	
L70 Lumen Maintenance @ 25°C / 77°F	47	1.00	0.95	0.91	0.82	165,000	
000				Calculated L70@ 50°C			
L70 Lumen Maintenance @ 50°C / 122°F	47	1.00	0.92	0.84	0.69	96,000	
TM-21-11				Calculated L80@ 40°C			
L80 Lumen Maintenance @ 40°C / 104°F	47	1.00	0.93	0.86	0.73	74,000	

#### NOTES:

1. Projected per IESNA TM-21-11. Data references the extrapolated performance projections for the 116mA base model in a 25°C ambient, based on 10,000 hours of LED testing per IESNA LM-80-08.
2. Compare to MH box indicates suggested Light Loss Factor (LLF) to be used when comparing to Metal Halide (MH) systems.

Specifications subject to change without notice. Rev. 062320